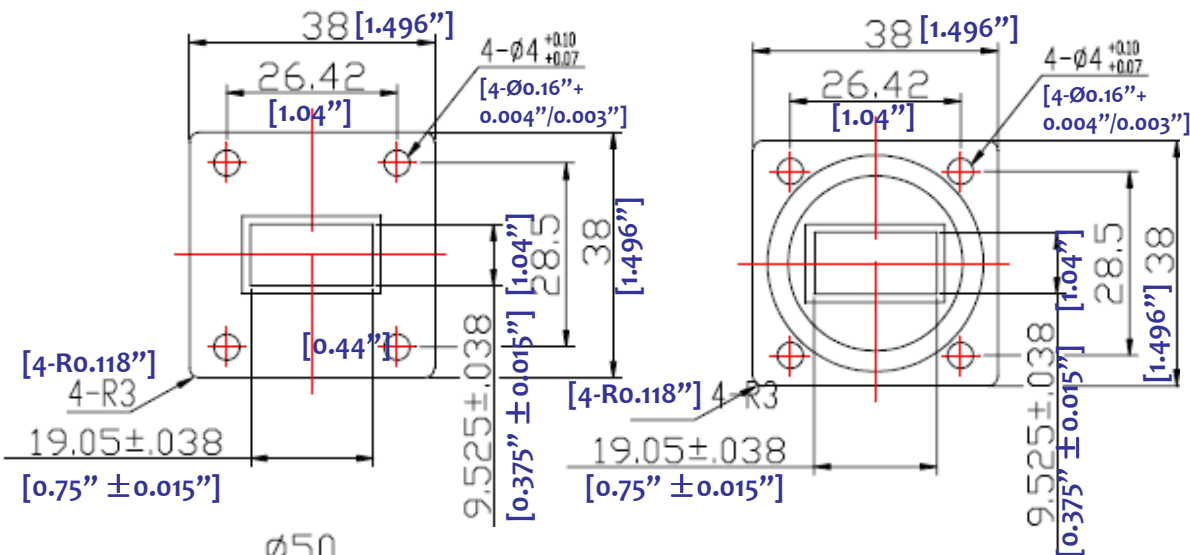



# WR75 WAVEGUIDE "I" SHAPE SINGLE CHANNEL ROTARY JOINT --- RFLWRJ75SI



1.0 Mechanical Specifications		
1.1	Waveguide type	Rectangular Waveguide WR75
1.2	Flange type	Square Cover
1.3	Flange Holes	Through
1.4	Basis-material	Alloyed Copper
1.5	Internal Finish	Sliver Plating
1.6	External Finish	Corrosion protected with black paint

2.0 Environment specifications		
2.1	Operation Temp.	-40°C~+70°C
2.2	Storage Temp.	-50°C~+125°C
2.3	Altitude	45000 ft
2.4	Vibration	10g rms (15 degree 2KHz)
2.5	Humidity	100% RH at 35c, 95%RH at 40 deg c
2.6	Shock	20G for 11msc

3.0 Electrical Specifications		
3.1	Frequency Range	10-15GHz (BW<=500MHz)
3.2	Max. Insertion Loss / IL WOW	0.3dB / 0.05dB
3.3	Max. VSWR / VSWR WOW	1.25:1 / 0.05
3.4	Power (average)	200W(CW) / 10KW

PAGE 1 OF 1		DATE Jun 21 <sup>st</sup> 2006
PROPRIETARY INFORMATION THE INFORMATION CONTAINED IN THIS DOCUMENT IS THE PROPERTY OF RF-LAMBDA EXCEPT AS SPECIFICALLY AUTHORIZED IN WRITING BY RF-LAMBDA. THE HOLDER OF THIS DOCUMENT SHALL KEEP ALL INFORMATION CONTAINED HEREIN CONFIDENTIAL AND SHALL PROTECT SAME IN THE WHOLE OR IN PART FROM DISCLOSURE AND DISSEMINATION OF ALL THIRD PARTIES AND SHALL USE SAME FOR OPERATING AND MAINTENANCE PURPOSES ONLY.		DESIGN RFLPC
		RF-LAMBDA RFLPC
 <b>RFLWRJ75SI</b> WAVEGUIDE ROTARY JOINT		CAD MODEL REVISION 11
		ASSEMBLY REVISION VS5D5
www.rflambda.com <b>RF-LAMBDA</b>		ASSEMBLY NAME RFLVR05
		DRAWING NUMBER D05:1
SIZE LT	SHEETS 1 OF 1	