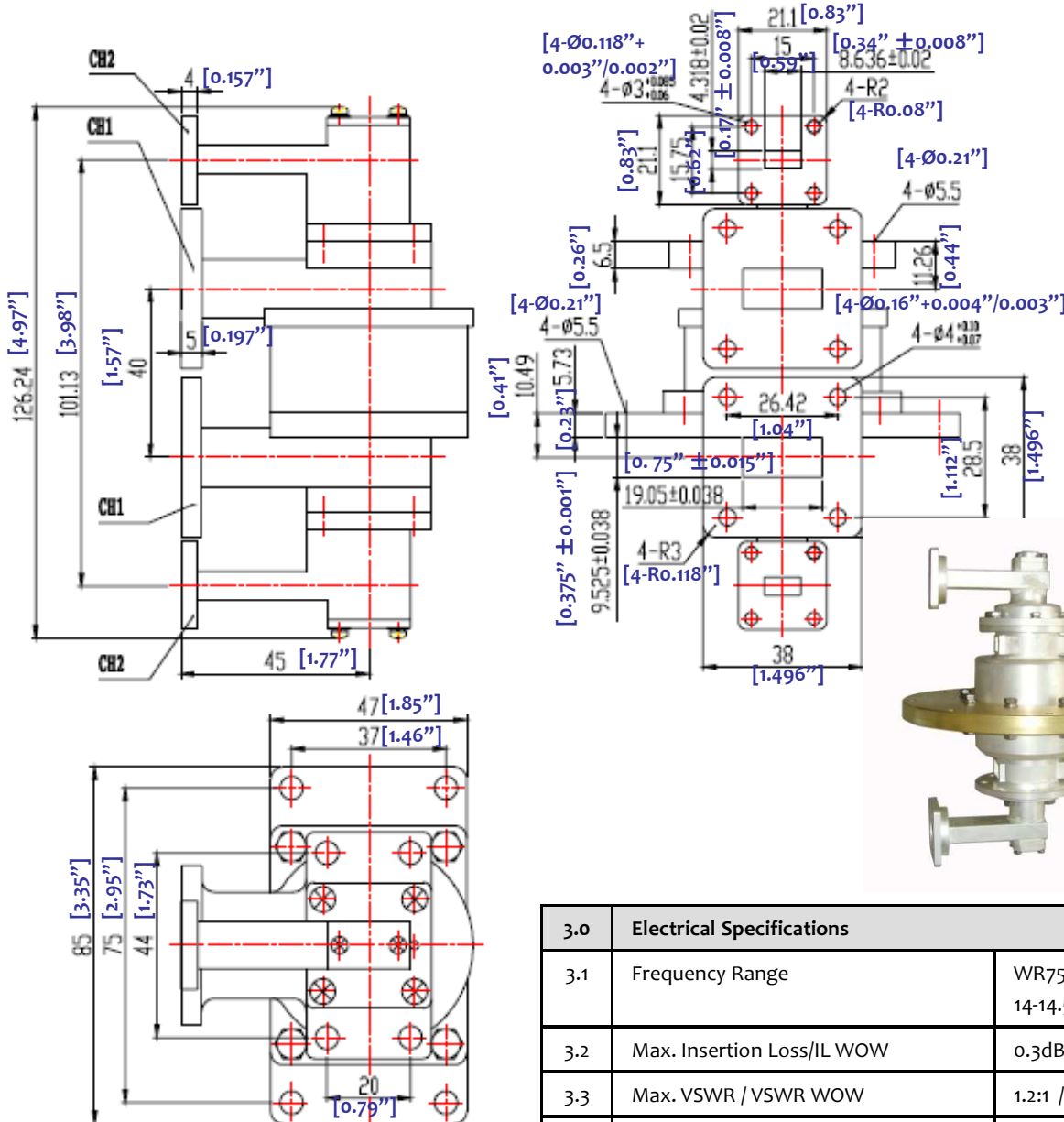



WR75 & WR34 WAVEGUIDE "U" SHAPE DUAL CHANNEL ROTARY JOINT --- RFWRJ75DU



1.0	Mechanical Specifications	
1.1	Waveguide type	Rectangular Waveguide WR75 WR34
1.2	Flange type	Square Cover
1.3	Flange Holes	Through
1.4	Basis-material	Cuprum
1.5	Internal Finish	Sliver Plating
1.6	External Finish	Anticorrosion gray paint

2.0	Environment specifications	
2.1	Operation Temp.	-40°C~+55°C
2.2	Storage Temp.	-50°C~+125°C
2.3	Altitude	45000 ft
2.4	Vibration	10g rms (15 degree 2KHz)
2.5	Humidity	100% RH at 35c, 95%RH at 40c
2.6	Shock	20G for 11msc

3.0	Electrical Specifications	
3.1	Frequency Range	WR75 (10.0-15.0GHz) & WR34 (22.-33GHz) 14-14.5GHz(CH1) 29.4-31GHz(CH2) as shown
3.2	Max. Insertion Loss/IL WOW	0.3dB/0.05dB(CH1) 0.6dB/0.1dB(ch2)
3.3	Max. VSWR / VSWR WOW	1.2:1 /0.05
3.4	Power Handling(average)	350W(CW)(CH1) 10CW(CW)(CH2)
3.5	Min. Isolator(Between two channels)	50dB

PAGE 1 OF 1	DATE Jun 21 st 2006
<small>PROPRIETARY INFORMATION THE INFORMATION CONTAINED IN THIS DOCUMENT IS THE PROPERTY OF RF-LAMBDA EXCEPT AS SPECIFICALLY AUTHORIZED IN WRITING BY RF-LAMBDA. THE HOLDER OF THIS DOCUMENT SHALL KEEP ALL INFORMATION CONTAINED HEREIN CONFIDENTIAL AND SHALL PROTECT SAME IN THE WHOLE OR IN PART FROM DISCLOSURE AND DISSEMINATION OF ALL THIRD PARTIES AND SHALL USE SAME FOR OPERATING AND MAINTENANCE PURPOSES ONLY</small>	DESIGN RFPC
	RF-LAMBDA RFPC
	CAD MODEL REVISION 11
	ASSEMBLY REVISION VS5D5
 RFWRJ75DU WAVEGUIDE ROTARY JOINT	ASSEMBLY NAME RFLVR05
	DRAWING NUMBER D05-1
	www.rflambda.com
RF-LAMBDA	SIZE LT SHEETS 1 OF 1