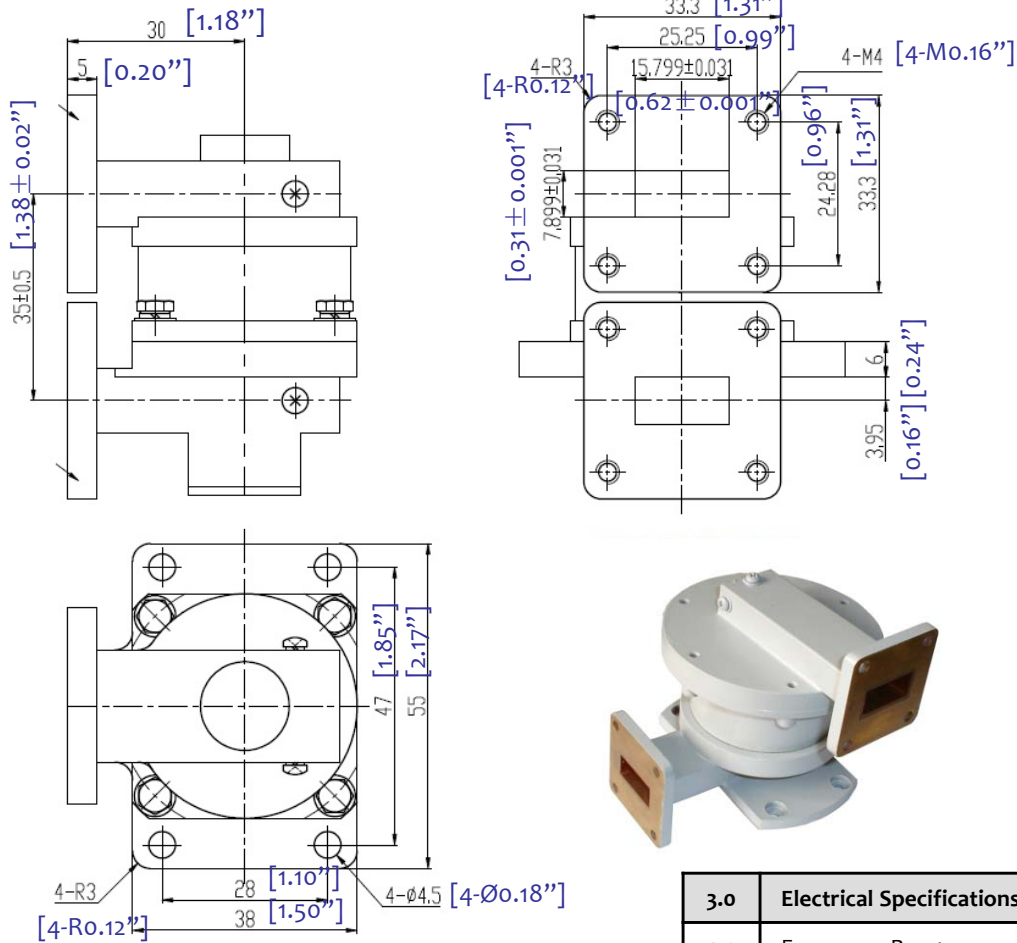


# WR62 WAVEGUIDE "U" SHAPE SINGLE CHANNEL ROTARY JOINT --- RFWRJ62SU



1.0 Mechanical Specifications	
1.1	Waveguide type Rectangular Waveguide <b>WR62</b>
1.2	Flange type Square Cover
1.3	Flange Holes Through
1.4	Basis-material Alloyed Copper
1.5	Internal Finish Silver Plating
1.6	External Finish Corrosion protected with black paint

2.0 Environment specifications	
2.1	Operation Temp. -40°C~+70°C
2.2	Storage Temp. -50°C~+125°C
2.3	Altitude 45000 ft
2.4	Vibration 10g rms (15 degree 2KHz)
2.5	Humidity 100% RH at 35c, 95%RH at 40 deg c
2.6	Shock 20G for 11msc



3.0 Electrical Specifications	
3.1	Frequency Range 12.4-18GHz (BW<=1GHz)
3.2	Max. Insertion Loss/IL WOW 0.3dB/0.05dB
3.3	Max. VSWR / VSWR WOW 1.3:1 /0.05
3.4	Power Handling(average/peak) 240W(CW)/4KW(CW)

PAGE 1 OF 1	DATE Jun 21 <sup>st</sup> 2006
<small>PROPRIETARY INFORMATION THE INFORMATION CONTAINED IN THIS DOCUMENT IS THE PROPERTY OF RF-LAMBDA EXCEPT AS SPECIFICALLY AUTHORIZED IN WRITINGS BY RF-LAMBDA. THE HOLDER OF THIS DOCUMENT SHALL KEEP ALL INFORMATION CONTAINED HEREIN CONFIDENTIAL AND SHALL PROTECT SAME IN THE WHOLE OR IN PART FROM DISCLOSURE AND DISSEMINATION OF ALL THIRD PARTIES AND SHALL USE SAME FOR OPERATING AND MAINTENANCE PURPOSES ONLY</small>	DESIGN RFPC
	RF-LAMBDA RFPC
	CAD MODEL REVISION 11
	ASSEMBLY REVISION V55DS
	ASSEMBLY NAME RFLVR05
www.rflambda.com	DRAWING NUMBER D05-1
RF-LAMBDA	SIZE LT
SHEETS 1	OF 1