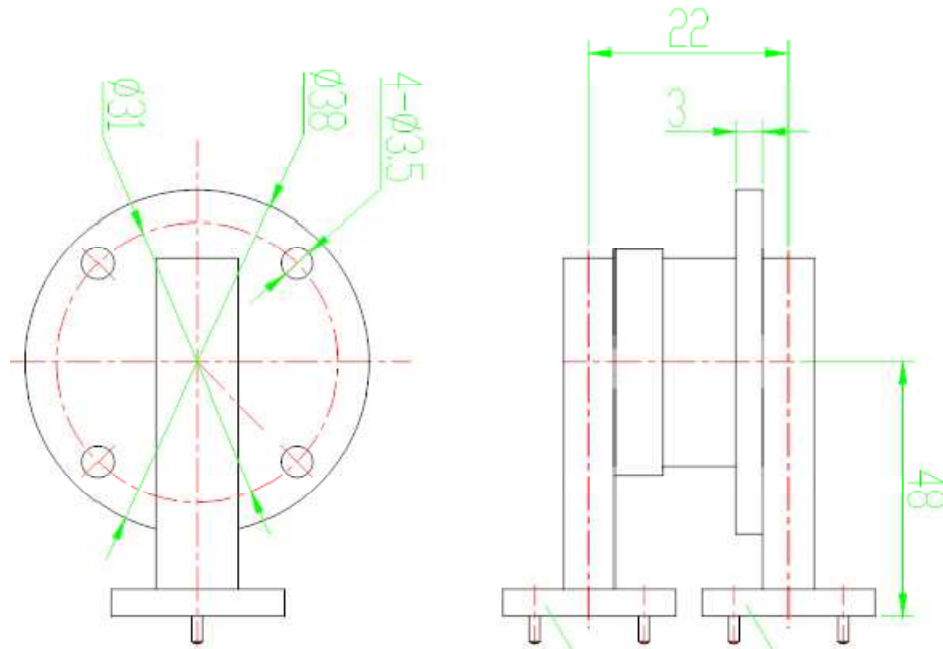


WR28 WAVEGUIDE "U" SHAPE ROTARY JOINT --- RFWRJ28SU




1.0	Mechanical Specifications	
1.1	Waveguide type	Rectangular Waveguide WR28
1.2	Flange type	Square Cover
1.3	Flange Holes	Through
1.4	Basis-material	Alloyed Cuprum
1.5	Internal Finish	Sliver Plating
1.6	External Finish	Corrosion protected with black paint

2.0	Environment specifications	
2.1	Operation Temp.	-30°C~+70°C
2.2	Storage Temp.	-50°C~+125°C
2.3	Altitude	45000 ft
2.4	Vibration	10g rms (15 degree 2KHz)
2.5	Humidity	100% RH at 35c, 95%RH at 40 deg c
2.6	Shock	20G for 11msc



3.0	Electrical Specifications	
3.1	Frequency Range	26.5-40.0GHz (BW <=1, 2 or 3GHz)
3.2	Max. Insertion Loss/IL WOW	0.6dB/0.2dB (1GHz) 0.8dB/0.4dB (2GHz) 1.1dB/0.6dB (3GHz)
3.3	Max. VSWR / VSWR WOW	1.4:1 /0.2 (1GHz) 1.6:1 /0.2 (1GHz) 1.8:1 /0.2 (1GHz)
3.4	Power Handling(average)	50W(CW) / 30KW peak 0.1%, 0.5us

PAGE 1 OF 1		DATE Jun 21 st 2006
<small>PROPRIETARY INFORMATION THE INFORMATION CONTAINED IN THIS DOCUMENT IS THE PROPERTY OF RF-LAMBDA EXCEPT AS SPECIFICALLY AUTHORIZED IN WRITINGS BY RF-LAMBDA. THE HOLDER OF THIS DOCUMENT SHALL KEEP ALL INFORMATION CONTAINED HEREIN CONFIDENTIAL AND SHALL PROTECT SAME IN THE WHOLE OR IN PART FROM DISCLOSURE AND DISSEMINATION OF ALL THIRD PARTIES AND SHALL USE SAME FOR OPERATING AND MAINTENANCE PURPOSES ONLY</small>		DESIGN RFPC
		RF-LAMBDA RFPC
 RFWRJ28SU WAVEGUIDE ROTARY JOINT		CAD MODEL REVISION 11
		ASSEMBLY REVISION VS5DS
		ASSEMBLY NAME RFLVR05
www.rflambda.com		DRAWING NUMBER D05-1
RF-LAMBDA	SIZE LT	SHEETS 1 OF 1