

# FLEXIBLE WAVEGUIDE

--- RFWF90

1.0 Mechanical Specifications	
1.1	Waveguide type Flexible Twistable Waveguide WR90
1.2	Flange type CPRG, CPRF, COVER, CHOKE available
1.3	Flange Holes Through
1.4	Basis-material Aluminum, Brass, Alloyed Cuprum, Stainless
1.5	Outer material Neoprene rubber jacketed
1.6	Internal Body Finish Silver Plated chromate or conversion
1.7	External Body Finish Body painted with gray/black epoxy enamel
1.8	External Body Finish Body painted with gray/black epoxy enamel

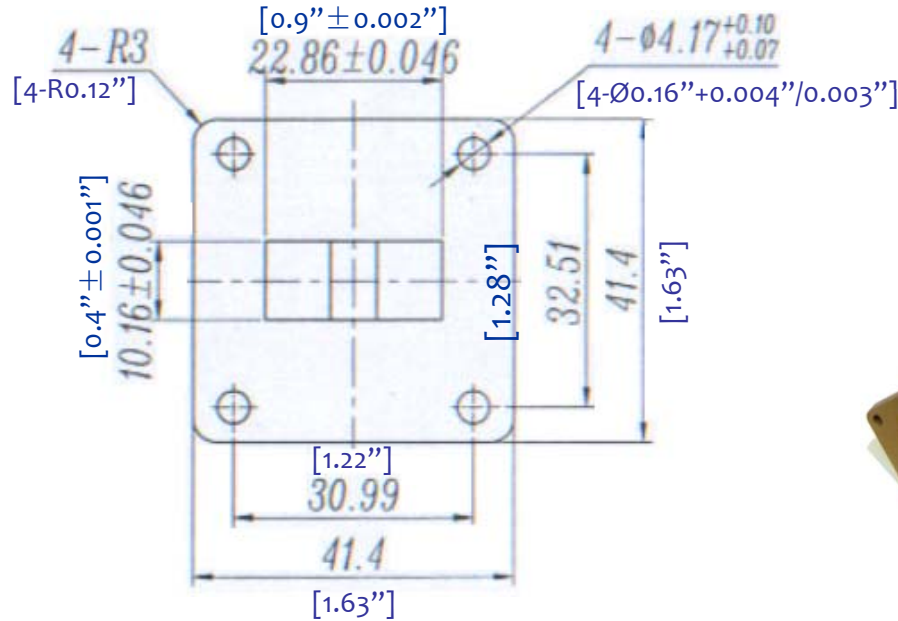
2.0 Environment specifications	
2.1	Operation Temp. -54°C--+85°C
2.2	Storage Temp. -60°C--+125°C
2.3	Altitude 40000 ft
2.4	Vibration 12.5g rms (15 degree 2KHz)
2.5	Humidity 100% RH at 35c, 95%RH at 50 deg c
2.6	Shock 20G for 11msc

3.0 Electrical Specifications	
3.1	Frequency Range 8.2-11.4GHz
3.2	Insertion Loss 0.4dB / m
3.3	Power CW / Peak 1000 Watts / 0.6M Watts
3.4	Max. VSWR 1.20:1

**Table 4. FLEXIBLE WAVEGUIDE - STANDARD LENGTHS (mm)**

100	200	300	400	500	600	800	900	1000	1200	1500
A	B	C	D	E	F	G	H	I	J	K
◆	◆	◆	◆	◆	◆	◆	◆	◆	◆	◆


◆ Available unjacketed or with bonded silicone jacket  
○ Available unjacketed or in elastomer sleeving



MAX RETURN LOSS (dB)			MIN. CENTRELINE BENDING RADII				MAX. TWIST	
			STATIC	STATIC	REPEAT	REPEAT	STATIC	REPEAT
300mm	600mm	1000mm	E-PLANE	H-PLANE	E-PLANE	H-PLANE	deg/m	deg/m
30.2	27.7	27.2	97	197	397	797	312°	51°

**Part Number:** **RF W F 90 CF AL S E B**

RF-Lambda Waveguide Flexible Waveguide Waveguide Type Number  
**Flange Type:** CG=CPRG; CF=CPRF; CO=COVER; CK=CHOKE  
**Material:** AL=Aluminum; BS=Brass; AC=Alloyed Cuprum; SS=Stainless  
**PLANE TYPE:** E=E-PLANE; H=H-PLANE  
**Length:** A=100mm; B=200m (Refer Table 4)

PAGE 1 OF 1	DATE Apr 1 <sup>st</sup> 2008
PROPRIETARY INFORMATION THE INFORMATION CONTAINED IN THIS DOCUMENT IS THE PROPERTY OF RF-LAMBDA EXCEPT AS SPECIFICALLY AUTHORIZED IN WRITINGS BY RF-LAMBDA. THE HOLDER OF THIS DOCUMENT SHALL KEEP ALL INFORMATION CONTAINED HEREIN CONFIDENTIAL AND SHALL PROTECT SAME IN THE WHOLE OR IN PART FROM DISCLOSURE AND DISSEMINATION OF ALL THIRD PARTIES AND SHALL USE SAME FOR OPERATING AND MAINTENANCE PURPOSES ONLY	DESIGN RFPC
 <b>RFWF90 FLEXIBLE WAVEGUIDE</b>	RF-LAMBDA RFPC
www.rflambda.com	CAD MODEL REVISION 065-23
RF-LAMBDA	ASSEMBLY REVISION VS1124
SIZE LT	ASSEMBLY NAME RFLVRO2K
SHEETS 1 OF 1	DRAWING NUMBER D056-2