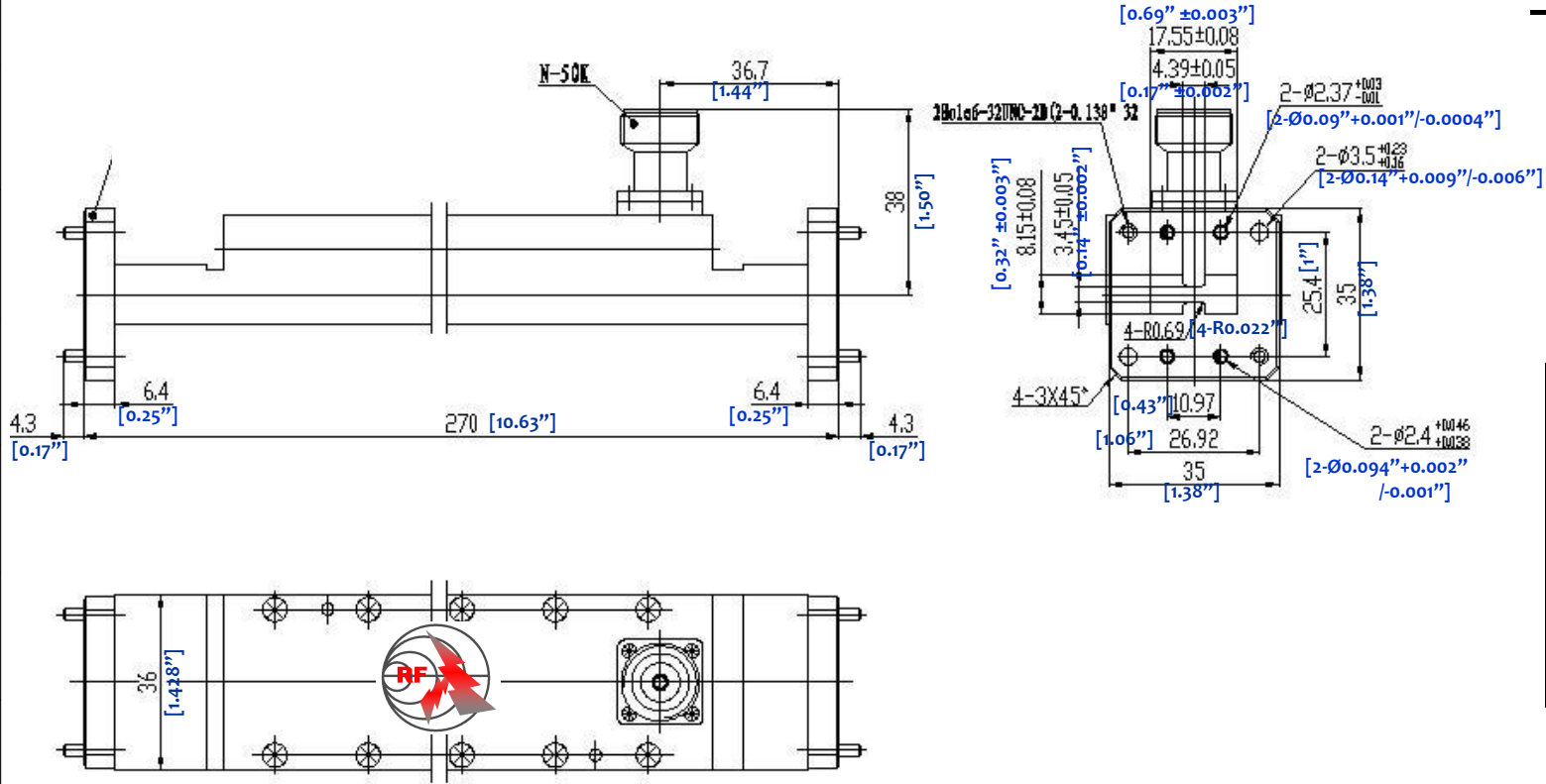



WAVEGUIDE WRD750 DOUBLE RIDGEDIRECTIONAL COUPLER - RWGCP750DRA



3.0	Electrical Specifications	
3.1	Frequency Range	7.5-18GHz
3.2	Coupling	30±1.5dB
3.3	Directivity	18dB min
3.4	VSWR	1.2
3.5	Insertion Loss	0.3dB max.
3.6	Average Power	300W

1.0	Mechanical Specifications	
1.1	Waveguide type	Rectangular Waveguide WRD750
1.2	Flange type	CPRG, CPRF, COVER, CHOKE available
1.3	Flange Holes	Through
1.4	Basis-material	Cuprum
1.5	Internal Body Finish	Silver Plated chromate or conversion
1.6	External Body Finish	Body painted with gray/black epoxy enamel

2.0	Environment specifications	
2.1	Operation Temp.	-40°C~+85°C
2.2	Storage Temp.	-60°C~+125°C
2.3	Altitude	45000 ft
2.4	Vibration	10g rms (15 degree 2KHz)
2.5	Humidity	100% RH at 35c, 95%RH at 40 deg c
2.6	Shock	20G for 11msc

PAGE	OF	DATE	Apr 19 th 2007
<small>PROPRIETARY INFORMATION THE INFORMATION CONTAINED IN THIS DOCUMENT IS THE PROPERTY OF RF-LAMBDA EXCEPT AS SPECIFICALLY AUTHORIZED IN WRITING BY RF-LAMBDA. THE HOLDER OF THIS DOCUMENT SHALL KEEP ALL INFORMATION CONTAINED HEREIN CONFIDENTIAL AND SHALL PROTECT SAME IN THE WHOLE OR IN PART FROM DISCLOSURE AND DISSEMINATION OF ALL THIRD PARTIES AND SHALL USE SAME FOR OPERATING AND MAINTENANCE PURPOSES ONLY</small>		DESIGN	RFPC
		RF-LAMBDA	RFPC
		CAD MODEL REVISION	0-4
		ASSEMBLY REVISION	VS2D5
		ASSEMBLY NAME	RFLVR011
		DRAWING NUMBER	D02-1
 RWGCP750DA WAWAVEGUIDE COUPLER			
www.rflambda.com			
RF-LAMBDA		SIZE	SHEETS
		LT	1 OF 1