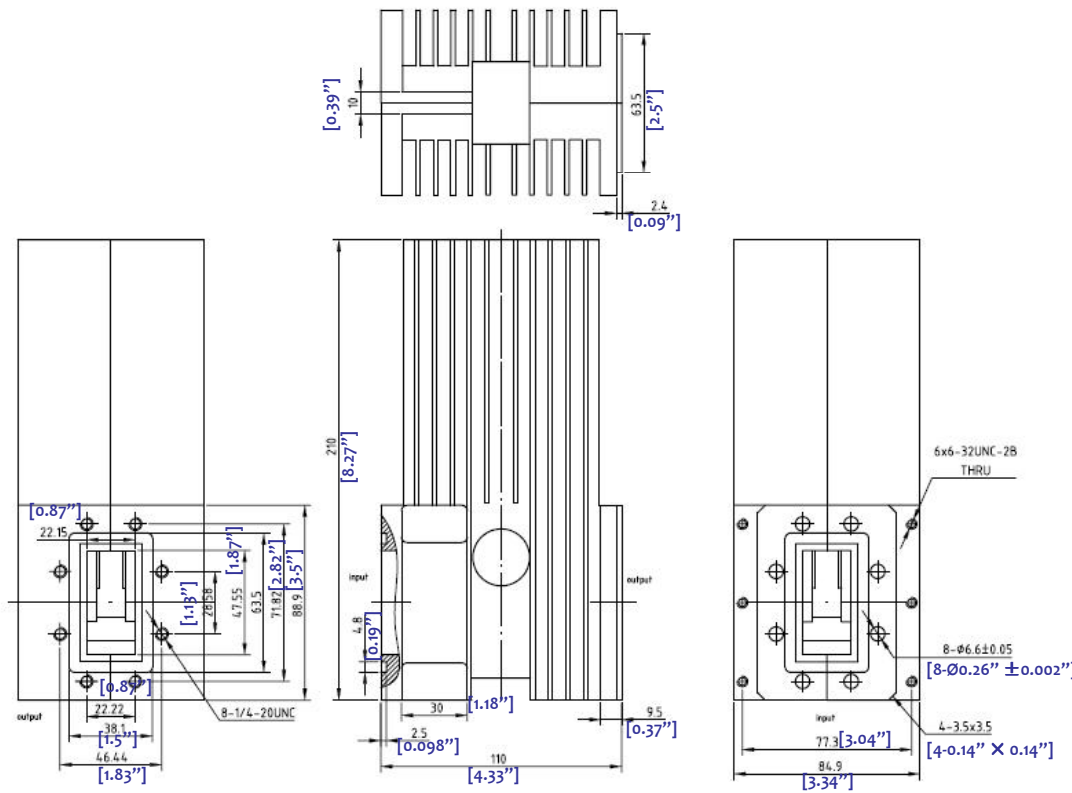



1000W CW WAVEGUIDE WR187 CIRCULATOR --- RFWI187B

2.0 Environment specifications		
2.1	Operation Temp.	-40°C~+85°C
2.2	Storage Temp.	-50°C~+125°C
2.3	Altitude	15000 ft
2.4	Vibration	10g rms (15 degree 2KHz)
2.5	Humidity	90% RH at 35c, 95%RH at 40 deg c
2.6	Shock	20G for 11msc

1.0 Mechanical Specifications		
1.1	Waveguide type	Rectangular Waveguide WR187
1.2	Flange type	CPRG, CPRF, COVER, CHOKE available
1.3	Flange Holes	Through or tapped holes
1.4	Basis-material	Aluminum
1.5	External Body Finish	NO PAINT OR BLUE PAINT

3.0 Electrical Specifications		
3.1	Freq. Range	3.95-5.85GHz
3.2	Bandwidth	10% Fc (4.5-5.0GHz as shown)
3.3	Insertion Loss	0.25dB max
3.4	Isolation	26dB min
3.5	Power Handle: (CW)	1000W Forward 200W reverse
3.6	Max. VSWR	1.10:1



PAGE 1 OF 1		DATE Jun 17 th 2009
<small>PROPRIETARY INFORMATION THE INFORMATION CONTAINED IN THIS DOCUMENT IS THE PROPERTY OF RF-LAMBDA EXCEPT AS SPECIFICALLY AUTHORIZED IN WRITING BY RF-LAMBDA. THE HOLDER OF THIS DOCUMENT SHALL KEEP ALL INFORMATION CONTAINED HEREIN CONFIDENTIAL AND SHALL PROTECT SAME IN THE WHOLE OR IN PART FROM DISCLOSURE AND DISSEMINATION OF ALL THIRD PARTIES AND SHALL USE SAME FOR OPERATING AND MAINTENANCE PURPOSES ONLY</small>		DESIGN RFPC
 RFWI187B WAVEGUIDE HIGH POWER ISOLATOR		RF-LAMBDA RFPC
www.rflambda.com		CAD MODEL REVISION 02
SIZE LT		ASSEMBLY REVISION VS2
SHEETS 1 OF 1		ASSEMBLY NAME RFLVR42
		DRAWING NUMBER D02-3