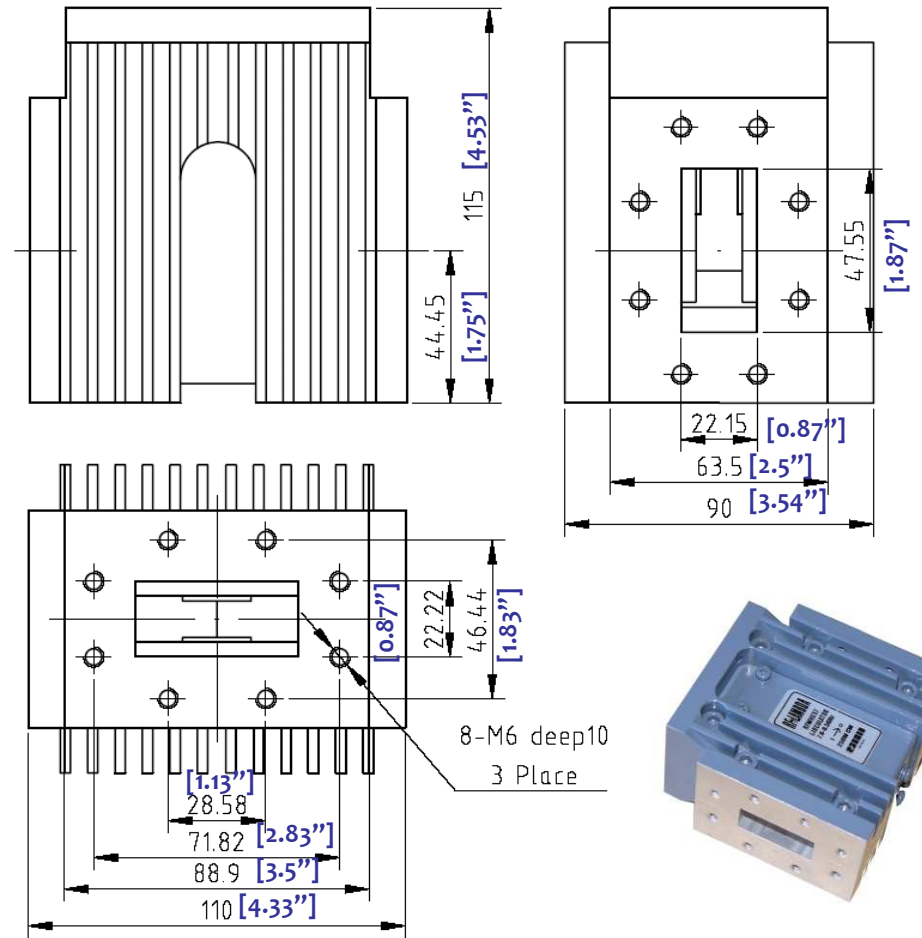


1KW CW 100KW PEAK POWER WAVEGUIDE WR187 HIGH POWER CIRCULATOR --- RFWC187B

1.0 Mechanical Specifications		
1.1	Waveguide type	Rectangular Waveguide WR187
1.2	Flange type	CPRG, CPRF, COVER, CHOKE available
1.3	Flange Holes	Through
1.4	Basis-material	Alloyed Aluminum
1.5	External Body Finish	Body painted with gray/black epoxy enamel

2.0 Environment specifications		
2.1	Operation Temp.	-40°C~+85°C
2.2	Storage Temp.	-50°C~+125°C
2.3	Altitude	15000 ft
2.4	Vibration	10g rms (15 degree 2KHz)
2.5	Humidity	90% RH at 35c, 95%RH at 40 deg c
2.6	Shock	20G for 11msc

3.0 Electrical Specifications		
3.1	Center Freq. Range	5.1-5.7GHz
3.2	Bandwidth	600MHz (2.6~2.9GHz as shown)
3.3	Functional Bandwidth	15% or 1000MHz max.
3.4	Insertion Loss	0.4dB max
3.5	Isolation	20dB min
3.6	Power Handle:	1000W (CW) / 100KW Peak
3.7	Max. VSWR	1.20:1



PAGE 1 OF 1	DATE	May 22nd 2002
<small>PROPRIETARY INFORMATION THE INFORMATION CONTAINED IN THIS DOCUMENT IS THE PROPERTY OF RF-LAMBDA EXCEPT AS SPECIFICALLY AUTHORIZED IN WRITING BY RF-LAMBDA. THE HOLDER OF THIS DOCUMENT SHALL KEEP ALL INFORMATION CONTAINED HEREIN CONFIDENTIAL AND SHALL PROTECT SAME IN THE WHOLE OR IN PART FROM DISCLOSURE AND DISSEMINATION OF ALL THIRD PARTIES AND SHALL USE SAME FOR OPERATING AND MAINTENANCE PURPOSES ONLY</small>		DESIGN
		RFPC
		RF-LAMBDA
		RFPC
		CAD MODEL REVISION
		02
		ASSEMBLY REVISION
		VS2
		ASSEMBLY NAME
		RFLVR42
		DRAWING NUMBER
		D02-3
www.rflambda.com		
RF-LAMBDA	SIZE	SHEETS
	LT	1 OF 1