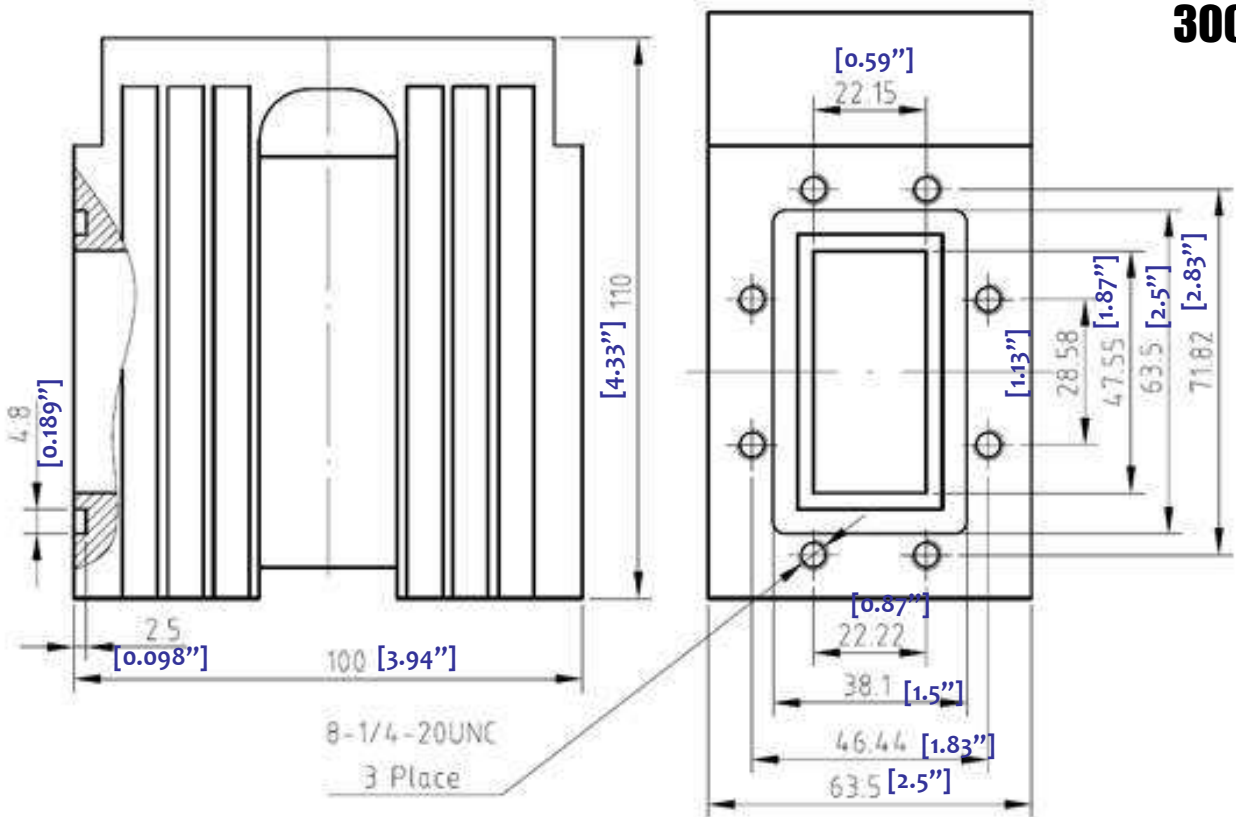


# 300W CW WAVEGUIDE WR187 CIRCULATOR


## --- RFWC187A



1.0 Mechanical Specifications	
1.1	Waveguide type Rectangular Waveguide WR187
1.2	Flange type CPRG, CPRF, COVER, CHOKE available
1.3	Flange Holes Through
1.4	Basis-material Alloyed Aluminum
1.5	External Body Finish Body painted with gray/black epoxy enamel

2.0 Environment specifications	
2.1	Operation Temp. -40°C~+85°C
2.2	Storage Temp. -50°C~+125°C
2.3	Altitude 15000 ft
2.4	Vibration 10g rms (15 degree 2KHz)
2.5	Humidity 90% RH at 35c, 95%RH at 40 deg c
2.6	Shock 20G for 11msc

3.0 Electrical Specifications	
3.1	Center Freq. Range 3.9-5.8GHz 4.4-5.0GHz (as shown)
3.2	Bandwidth 600MHz
3.3	Functional Bandwidth 10% or 1000MHz max.
3.4	Insertion Loss 0.35dB max
3.5	Isolation 20dB min
3.6	Power Handle: 300W (CW)
3.7	Max. VSWR 1.20:1

PAGE 1 OF 1		DATE Jun 17 <sup>th</sup> 2009
<small>PROPRIETARY INFORMATION THE INFORMATION CONTAINED IN THIS DOCUMENT IS THE PROPERTY OF RF-LAMBDA EXCEPT AS SPECIFICALLY AUTHORIZED IN WRITING BY RF-LAMBDA. THE HOLDER OF THIS DOCUMENT SHALL KEEP ALL INFORMATION CONTAINED HEREIN CONFIDENTIAL AND SHALL PROTECT SAME IN THE WHOLE OR IN PART FROM DISCLOSURE AND DISSEMINATION OF ALL THIRD PARTIES AND SHALL USE SAME FOR OPERATING AND MAINTENANCE PURPOSES ONLY</small>		DESIGN RFPC
		RF-LAMBDA RFPC
 <b>RFWC187A</b> <b>WAVEGUIDE HIGH</b> <b>POWER CIRCULATOR</b>		CAD MODEL REVISION 02
		ASSEMBLY REVISION VS2
<a href="http://www.rflambda.com">www.rflambda.com</a>		ASSEMBLY NAME RFLVR42
		DRAWING NUMBER D02-3
<b>RF-LAMBDA</b>		SIZE LT SHEETS 1 OF 1