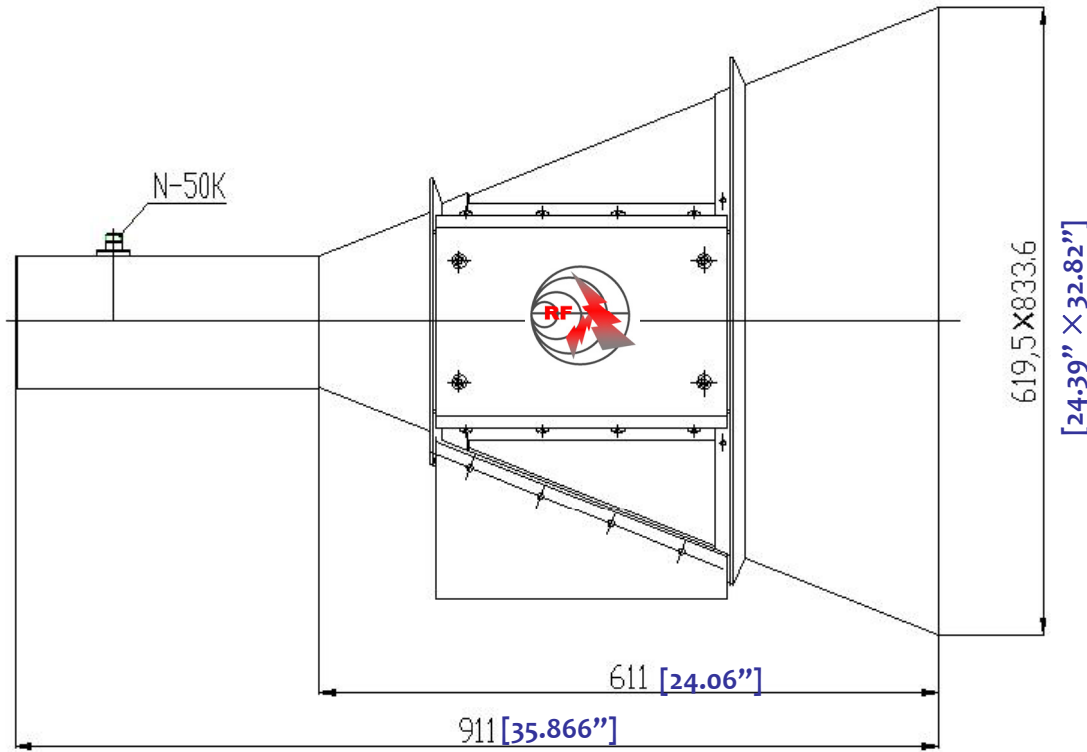



# WR975 WAVEGUIDE HORN ANTENNA – RW975HORN15D



| 3.0 Electrical Specifications |                 |              |
|-------------------------------|-----------------|--------------|
| 3.1                           | Frequency Range | 0.77-1.44GHz |
| 3.2                           | Power Gain      | 15.5dB       |
| 3.3                           | VSWR            | 1.5:1 (max)  |

| 1.0 Mechanical Specifications |                      |   |
|-------------------------------|----------------------|---|
| 1.1                           | Waveguide type       | Rectangular Waveguide <b>WR975</b>        |
| 1.2                           | Flange type          | CPRF, COVER                               |
| 1.3                           | Flange Holes         | Through                                   |
| 1.4                           | Basis-material       | Brass                                     |
| 1.5                           | Internal Body Finish | Silver Plated chromate or conversion      |
| 1.6                           | External Body Finish | Body painted with gray/black epoxy enamel |

| 2.0 Environment specifications |                 |                                   |
|--------------------------------|-----------------|-----------------------------------|
| 2.1                            | Operation Temp. | -40°C~+70°C                       |
| 2.2                            | Storage Temp.   | -50°C~+125°C                      |
| 2.3                            | Altitude        | 45000 ft                          |
| 2.4                            | Vibration       | 10g rms (15 degree 2KHz)          |
| 2.5                            | Humidity        | 100% RH at 35c, 95%RH at 40 deg c |
| 2.6                            | Shock           | 20G for 11msc                     |

|  |  |                    |                           |
|--|--|--------------------|---------------------------|
| PAGE 1 OF 1  |  | DATE               | Jun 21 <sup>st</sup> 2006 |
| <small>PROPRIETARY INFORMATION<br/>THE INFORMATION CONTAINED IN THIS DOCUMENT IS THE PROPERTY OF RF-LAMBDA EXCEPT AS SPECIFICALLY AUTHORIZED IN WRITINGS BY RF-LAMBDA. THE HOLDER OF THIS DOCUMENT SHALL KEEP ALL INFORMATION CONTAINED HEREIN CONFIDENTIAL AND SHALL PROTECT SAME IN THE WHOLE OR IN PART FROM DISCLOSURE AND DISSEMINATION OF ALL THIRD PARTIES AND SHALL USE SAME FOR OPERATING AND MAINTENANCE PURPOSES ONLY</small> |  | DESIGN             | RFPC                      |
|  |  | RF-LAMBDA          | RFPC                      |
|  |  | CAD MODEL REVISION | 11                        |
|  |  | ASSEMBLY REVISION  | V55DS                     |
|  <b>RW975HORN15D<br/>WAVEGUIDE HORN<br/>ANTENNA</b>   |  | ASSEMBLY NAME      | RFLVR05                   |
|  |  | DRAWING NUMBER     | D05-1                     |
| <a href="http://www.rflambda.com">www.rflambda.com</a>   |  | SIZE               | LT                        |
| <b>RF-LAMBDA</b>   |  | SHEETS             | 1 OF 1                    |