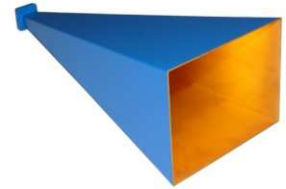
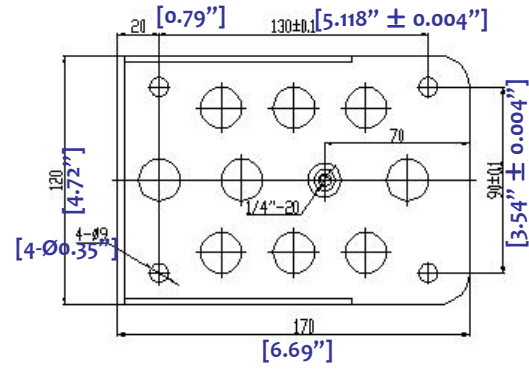
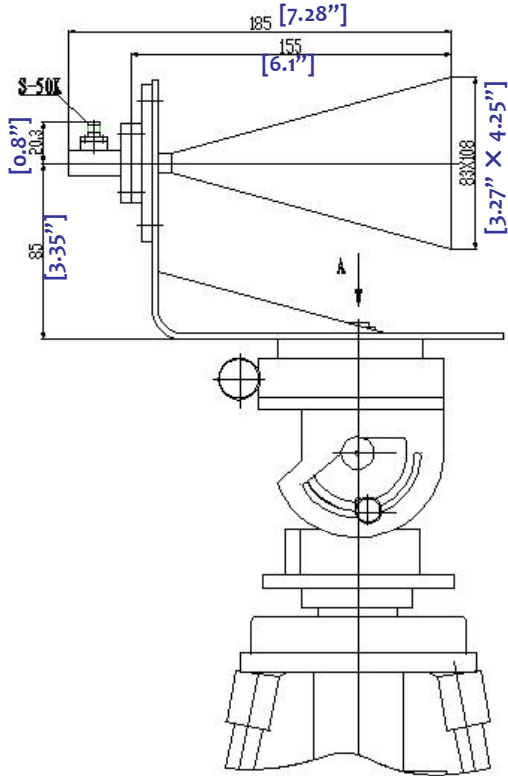


WR75 WAVEGUIDE HORN ANTENNA – RW75HORN20B



3.0	Electrical Specifications	
3.1	Frequency Range	10-15GHz
3.2	Gain	20dB
3.3	VSWR	1.5:1 (max)

1.0	Mechanical Specifications	
1.1	Waveguide type	Rectangular Waveguide WR75
1.2	Flange type	CPRF, COVER
1.3	Flange Holes	Through
1.4	Basis-material	Brass
1.5	Internal Body Finish	Silver Plated chromate or conversion
1.6	External Body Finish	Body painted with gray/black epoxy enamel

2.0	Environment specifications	
2.1	Operation Temp.	-40°C~+70°C
2.2	Storage Temp.	-50°C~+125°C
2.3	Altitude	45000 ft
2.4	Vibration	10g rms (15 degree 2KHz)
2.5	Humidity	100% RH at 35c, 95%RH at 40 deg c
2.6	Shock	20G for 11msc

PAGE 1 OF 1

DATE Jun 21st 2006

DESIGN RFPC

RF-LAMBDA RFPC

CAD MODEL REVISION 11

ASSEMBLY REVISION VS5DS

ASSEMBLY NAME RFLVR05

DRAWING NUMBER D05-1

www.rflambda.com

RF-LAMBDA

SIZE LT SHEETS 1 OF 1

PROPRIETARY INFORMATION THE INFORMATION CONTAINED IN THIS DOCUMENT IS THE PROPERTY OF RF-LAMBDA EXCEPT AS SPECIFICALLY AUTHORIZED IN WRITING BY RF-LAMBDA. THE HOLDER OF THIS DOCUMENT SHALL KEEP ALL INFORMATION CONTAINED HEREIN CONFIDENTIAL AND SHALL PROTECT SAME IN THE WHOLE OR IN PART FROM DISCLOSURE AND DISSEMINATION OF ALL THIRD PARTIES AND SHALL USE SAME FOR OPERATING AND MAINTENANCE PURPOSES ONLY

RW75HORN20B WAVEGUIDE HORN ANTENNA