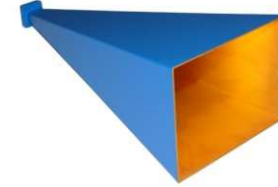
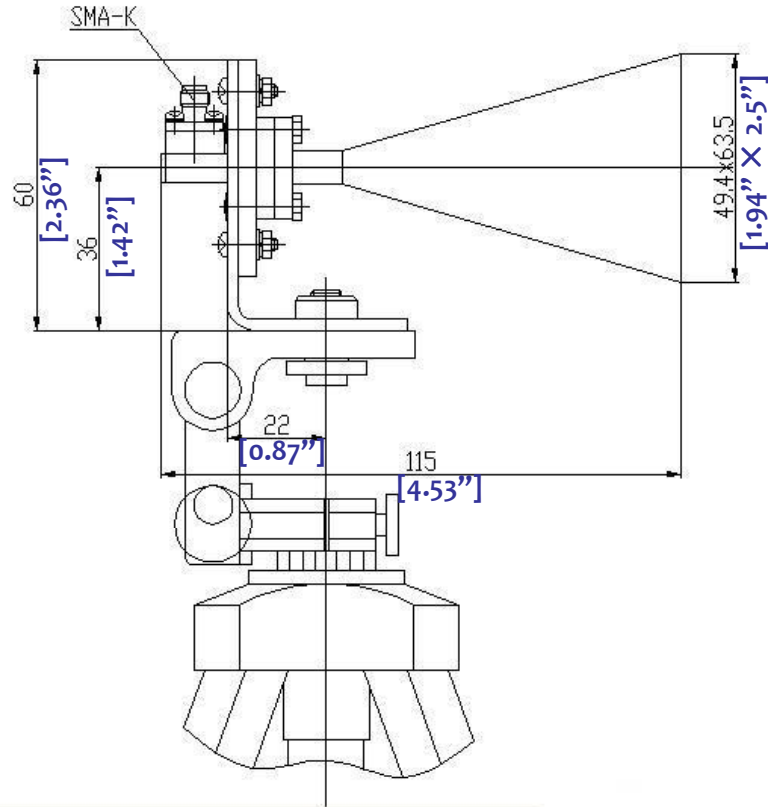



WR42 WAVEGUIDE STANDARD GAIN HORN ANTENNA – RW42HORN20F



| 3.0 Electrical Specifications | | |
|-------------------------------|-----------------|-------------|
| 3.1 | Frequency Range | 18-26.5GHz |
| 3.2 | Gain | 20dB |
| 3.2 | VSWR | 1.5:1 (max) |

| 1.0 Mechanical Specifications | | |
|-------------------------------|----------------------|---|
| 1.1 | Waveguide type | Rectangular Waveguide WR42 |
| 1.2 | Flange type | CPRF, COVER |
| 1.3 | Flange Holes | Through |
| 1.4 | Basis-material | Brass |
| 1.5 | Internal Body Finish | Silver Plated chromate or conversion |
| 1.6 | External Body Finish | Body painted with gray/black epoxy enamel |

| 2.0 Environment specifications | | |
|--------------------------------|-----------------|-----------------------------------|
| 2.1 | Operation Temp. | -40°C~+70°C |
| 2.2 | Storage Temp. | -50°C~+125°C |
| 2.3 | Altitude | 45000 ft |
| 2.4 | Vibration | 10g rms (15 degree 2KHz) |
| 2.5 | Humidity | 100% RH at 35c, 95%RH at 40 deg c |
| 2.6 | Shock | 20G for 11msc |

| | | | |
|--|--|--------------------|---------------------------|
| PAGE 1 OF 1 | | DATE | Jun 21 st 2006 |
| <p>PROPRIETARY INFORMATION THE INFORMATION CONTAINED IN THIS DOCUMENT IS THE PROPERTY OF RF-LAMBDA EXCEPT AS SPECIFICALLY AUTHORIZED IN WR42LGB BY RF-LAMBDA. THE HOLDER OF THIS DOCUMENT SHALL KEEP ALL INFORMATION CONTAINED HEREIN CONFIDENTIAL AND SHALL PROTECT SAME IN THE WHOLE OR IN PART FROM DISCLOSURE AND DISSEMINATION OF ALL THIRD PARTIES AND SHALL USE SAME FOR OPERATING AND MAINTENANCE PURPOSES ONLY</p>  <p>RW42HORN20F WAVEGUIDE HORN ANTENNA</p> <p>www.rflambda.com</p> | | DESIGN | RFPC |
| | | RF-LAMBDA | RFPC |
| | | CAD MODEL REVISION | 11 |
| | | ASSEMBLY REVISION | V55D5 |
| | | ASSEMBLY NAME | RFLVR05 |
| | | DRAWING NUMBER | D05:1 |
| RF-LAMBDA | | SIZE | LT |
| | | SHEETS | 1 OF 1 |