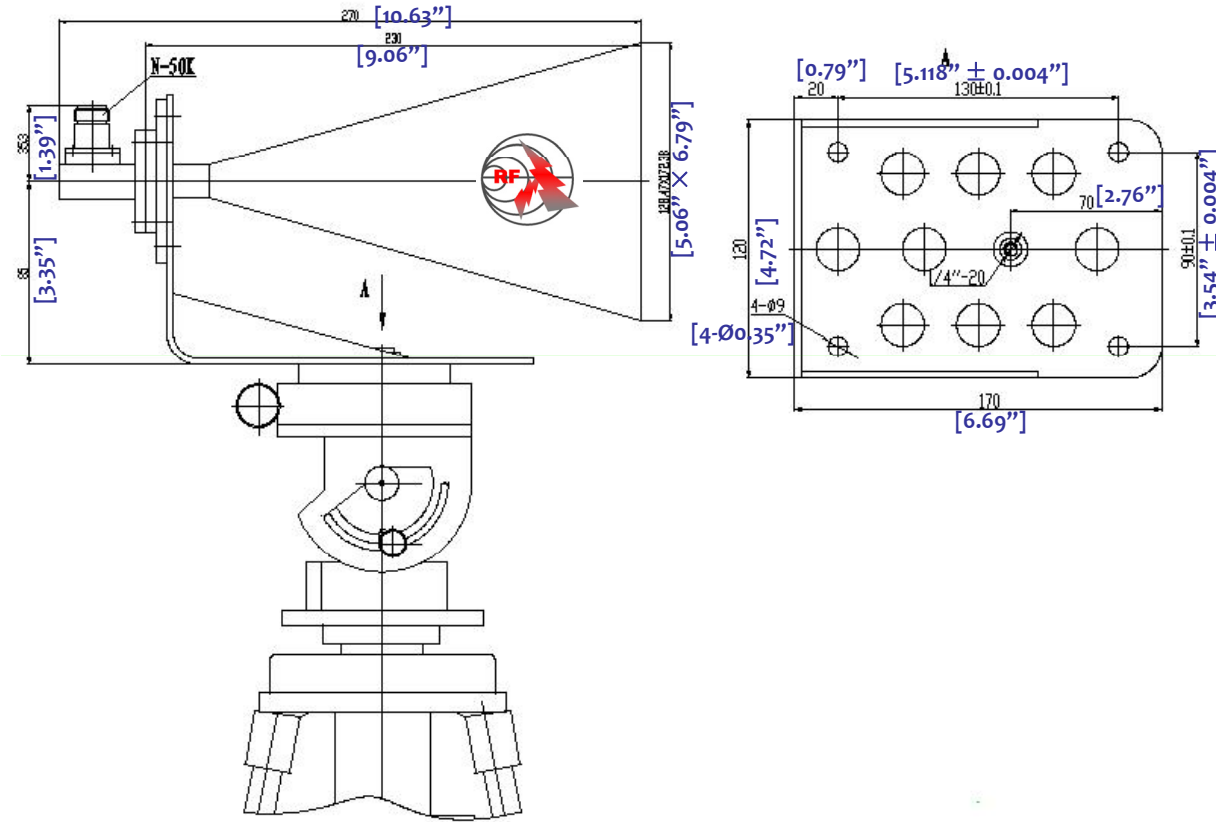



# WR112 WAVEGUIDE HORN ANTENNA – RW112HORN20C



3.0 Electrical Specifications		
3.1	Frequency Range	6.75-10GHz
3.2	Gain	20dB
3.3	VSWR	1.5:1 (max)

1.0 Mechanical Specifications		
1.1	Waveguide type	Rectangular Waveguide <b>WR112</b>
1.2	Flange type	CPRF, COVER
1.3	Flange Holes	Through
1.4	Basis-material	Brass
1.5	Internal Body Finish	Silver Plated chromate or conversion
1.6	External Body Finish	Body painted with gray/black epoxy enamel

2.0 Environment specifications		
2.1	Operation Temp.	-40°C~+70°C
2.2	Storage Temp.	-50°C~+125°C
2.3	Altitude	45000 ft
2.4	Vibration	10g rms (15 degree 2KHz)
2.5	Humidity	100% RH at 35c, 95%RH at 40 deg c
2.6	Shock	20G for 11msc

PAGE 1 OF 1		DATE	Jun 21 <sup>st</sup> 2006
 <b>RW112HORN20C</b> <b>WAVEGUIDE HORN</b> <b>ANTENNA</b>		DESIGN	RFPC
		RF-LAMBDA	RFPC
		CAD MODEL REVISION	11
		ASSEMBLY REVISION	V55DS
<a href="http://www.rflambda.com">www.rflambda.com</a>		ASSEMBLY NAME	RFLVR05
<b>RF-LAMBDA</b>		DRAWING NUMBER	D05-1
SIZE	LT	SHEETS	1 OF 1