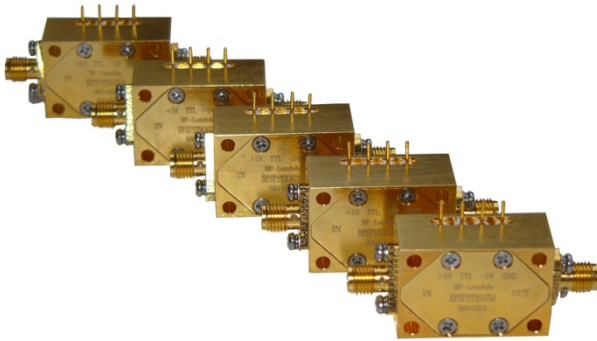




Absorptive 30-33GHz Coaxial SPST

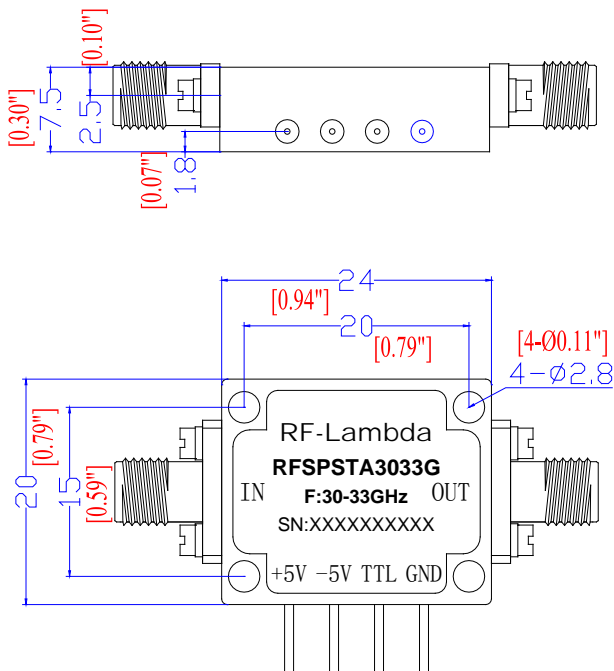


Features

- Wide Band Operation 30-33GHz
- High Power Handle Capability up to 1W upon request.
- TTL compatible driver include
- Fast Switching Speed
- Low Insertion Loss and High Isolation
- Temperature Range -40°C~+85°C
- Customization available upon request

Absorptive SPST- Single Pole Single Throw

Part Number	Frequency (GHz)	Insert. Loss (dB)	VSWR (Max:1)	Isolation min (dB)	Power (Watts)	Switching Speed
RFSPSTA3033G	30-33	3.0	2.0	25	1	1ms



Mechanical Specification

Finishing: Gold plating for brass material
Other finishing available
Connector: SMA-F Per MIL-C-39012
Control PIN: 0.02" dia x 0.15" solder pins
Weight: 20 grams max.
Mounting: (4 / 6) 0.1" dia through holes

Electrical Operation

DC Biasing:
+5.0V (+/-0.5V 30mA max.)
-5.0V (+/-0.5V 30mA max.)

TTL Logic Control:
0 OFF
1 J0->J1

Note: Contact RF-Lambda for faster switching speed, higher power handle, higher isolation

- 1.Higher power handle capability will give lower isolation , higher biasing current and slower switching speed.
- 2.Narrower frequency band will improve insertion loss and isolation.