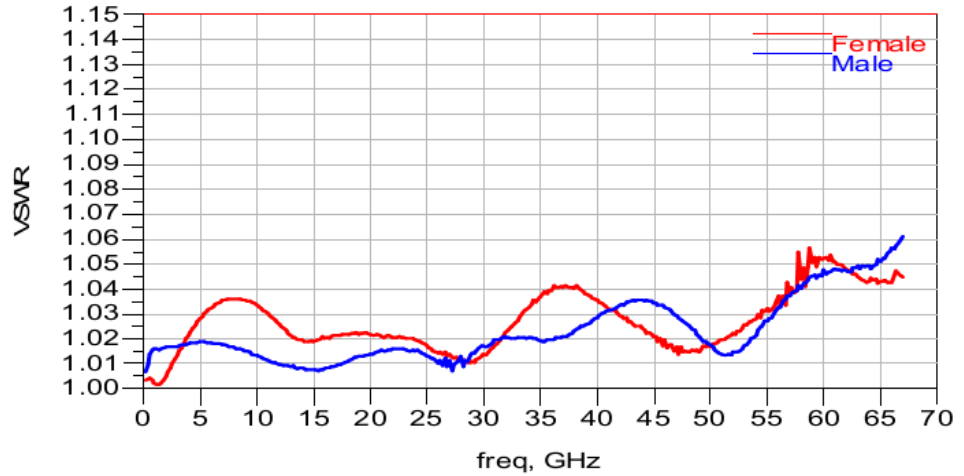
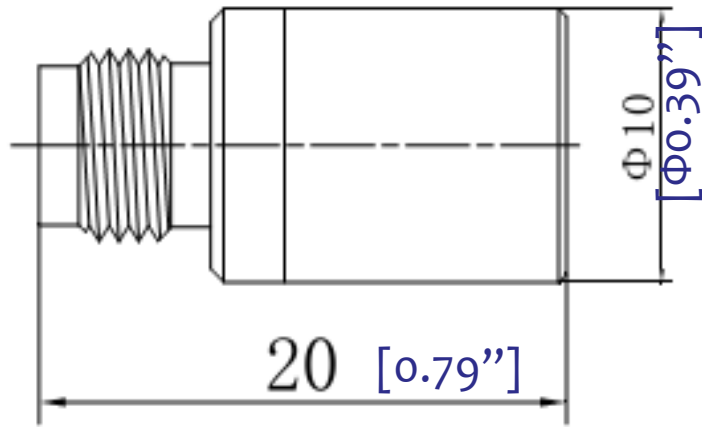


1.85mm DC-67GHz 0.5W TERMINATION


--- RFST1G67VF



1.0 Mechanical Specifications		
1.1	Coaxial Connector	1.85mm-Female
1.2	External Body Finish	Body painted black epoxy enamel
1.3	Weight	8g

2.0 Environment specifications		
2.1	Operation Temp.	-50°C~+120°C (case temp.)
2.2	Storage Temp.	-20°C~+70°C
2.3	Vibration	10g rms (15 degree 2KHz)
2.4	Humidity	100% RH at 35c, 95%RH at 40°C
2.5	Shock	20G for 11msc

3.0 Electrical Specifications		
3.1	Frequency Range	DC-67GHz
3.2	Input Power	0.5W
3.3	VSWR	1.15
3.4	Resistance	50(Ω)

PAGE 1 OF 1		DATE	MAY 6 th 2000
<small>PROPRIETARY INFORMATION THE INFORMATION CONTAINED IN THIS DOCUMENT IS THE PROPERTY OF RF-LAMBDA EXCEPT AS SPECIFICALLY AUTHORIZED IN WRITING BY RF-LAMBDA. THE HOLDER OF THIS DOCUMENT SHALL KEEP ALL INFORMATION CONTAINED HEREIN CONFIDENTIAL AND SHALL PROTECT SAME IN THE WHOLE OR IN PART FROM DISCLOSURE AND DISSEMINATION OF ALL THIRD PARTIES AND SHALL USE SAME FOR OPERATING AND MAINTENANCE PURPOSES ONLY.</small>		DESIGN	RFPC
		RF-LAMBDA	RFPC
 RFST1G67VF Termination		CAD MODEL REVISION	10
		ASSEMBLY REVISION	V52
		ASSEMBLY NAME	RFLVR07
		DRAWING NUMBER	D05-A
www.rflambda.com		RF-LAMBDA	SIZE LT SHEETS 1 OF 1