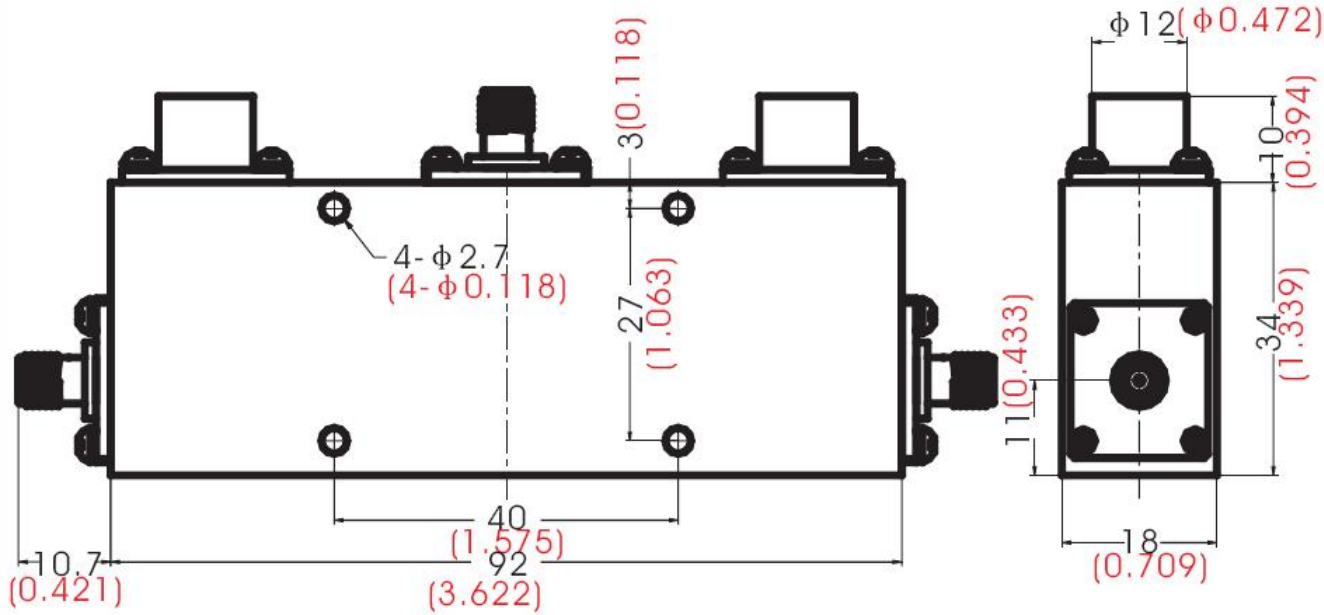



# ULTRA WIDE BAND DUAL JUNCTIONS ISOLATOR--- RFLI-313D-1/2



1.0 Mechanical Specifications	
1.1	Coaxial Connector SMA/N/L16 type
1.2	External Body Finish Conductive no paint
1.3	Rotation Clockwise / Counter-clockwise

2.0 Environment specifications	
2.1	Operation Temp. -40°C ~ +70°C
2.2	Storage Temp. -40°C ~ +100°C
2.3	Altitude 45000 ft
2.4	Vibration 10g rms (15 degree 2KHz)
2.5	Humidity 100% RH at 35c, 95%RH at 40 deg c
2.6	Shock 20G for 11 msc

PN	Frequency Range (GHz)	Bandwidth (MHz)	Insertion loss (dB) max	Isolation (dB) min	VSWR (max)	Forward Power (CW)	Reverse Power (CW)
RFLI-313D-1	2.0~4.0	300	0.5	50	1.15	10/50	1
RFLI-313D-2		600	0.7	45	1.20		
RFLI-312D-3		1000	0.8	40	1.25		

PAGE 1 OF 1		DATE JAN 12 <sup>th</sup> 2007
<small>PROPRIETARY INFORMATION THE INFORMATION CONTAINED IN THIS DOCUMENT IS THE PROPERTY OF RF-LAMBDA EXCEPT AS SPECIFICALLY AUTHORIZED IN WRITING BY RF-LAMBDA. THE HOLDER OF THIS DOCUMENT SHALL KEEP ALL INFORMATION CONTAINED HEREIN CONFIDENTIAL AND SHALL PROTECT SAME IN THE WHOLE OR IN PART FROM DISCLOSURE AND DISSEMINATION OF ALL THIRD PARTIES AND SHALL USE SAME FOR OPERATING AND MAINTENANCE PURPOSES ONLY</small>		DESIGN RFFC
 <b>RFLI-313D</b> <b>ULTRA WIDE BAND ISOLATOR</b>		RF-LAMBDA RFFC
www.rflambda.com		CAD MODEL REVISION 02
RF-LAMBDA		ASSEMBLY REVISION VS23
SIZE LT	SHEETS 1 OF 1	ASSEMBLY NAME RFLVR54
		DRAWING NUMBER D02-12