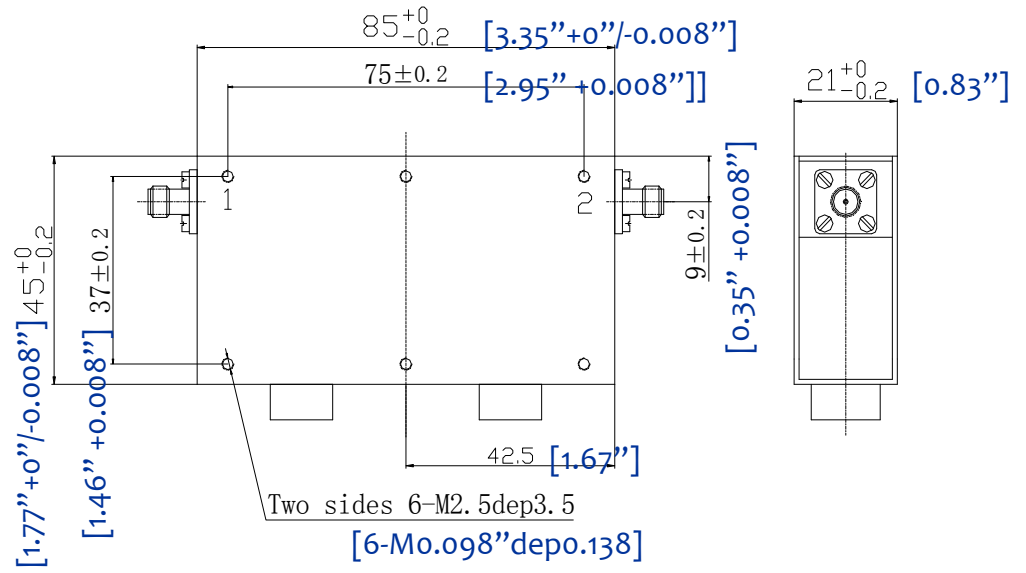
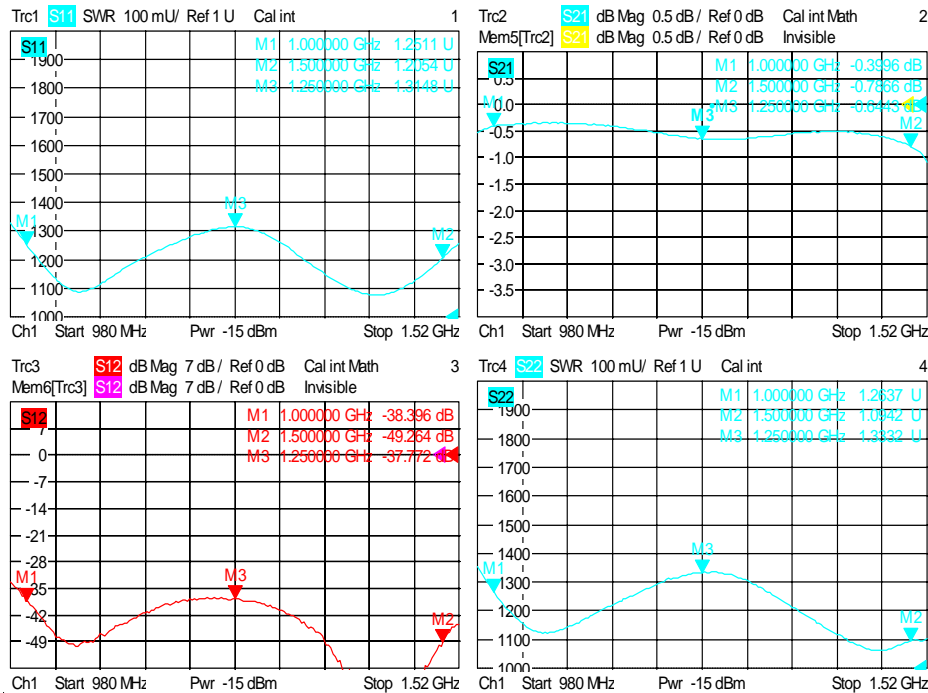


ULTRA WIDE BAND 1.0-1.5GHz ISOLATOR RFLI316G10G15

1.0	Mechanical Specifications	
1.1	Coaxial Connector	SMA-Femal
1.2	External Body Finish	Nickle Plated
1.3	Rotation	Clockwise / Counter-clockwise



2.0	Environment specifications	
2.1	Opt. Temp.	-20°C~+70°C
2.2	Storage Temp.	-40°C~+85°C
2.3	Altitude	45000 ft
2.4	Vibration	10g rms (15 degree 2KHz)
2.5	Humidity	100% RH at 35c, 95%RH at 40 deg c
2.6	Shock	20G for 11msc



PN	Frequency (GHz)	Insertion loss (dB)	Isolation (dB) min	VSWR (max)	Average Power F/R(CW)
RFLI316G17G25	1.0~1.5	1.0	35	1.35	10/10

PAGE 1 OF 1

DATE: JAN 8th 2003

DESIGN: RFLFC

RF-LAMBDA: RFLFC

CAD MODEL REVISION: 02-1

ASSEMBLY REVISION: VS23

ASSEMBLY NAME: RFLVR54

DRAWING NUMBER: D02-12

www.rflambda.com

RF-LAMBDA

SIZE: LT

SHEETS: 1 OF 1