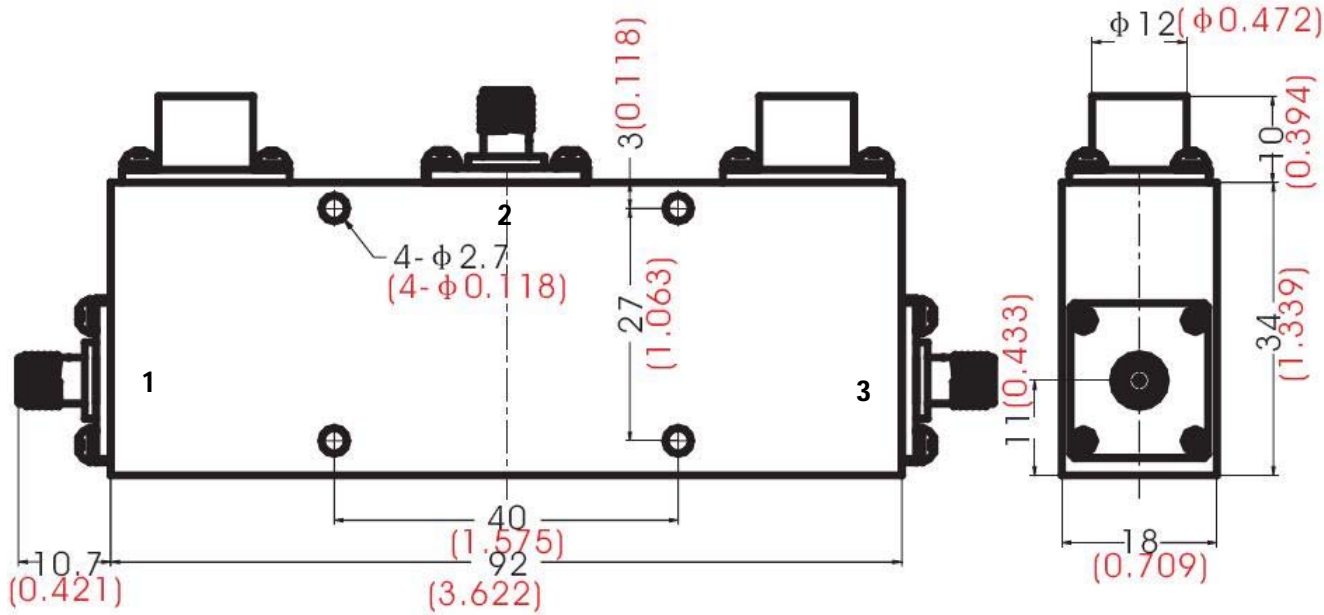



ULTRA WIDE BAND DUAL JUNCTIONS ISOLATOR--- RFLI313D2550S1



1.0 Mechanical Specifications		
1.1	Coaxial Connector	SMA-Female
1.2	External Body Finish	Conductive no paint
1.3	Rotation	Clockwise

2.0 Environment specifications		
2.1	Operation Temp.	-40°C~+70°C
2.2	Storage Temp.	-40°C~+100°C
2.3	Altitude	45000 ft
2.4	Vibration	10g rms (15 degree 2KHz)
2.5	Humidity	100% RH at 35c, 95%RH at 40 deg c
2.6	Shock	20G for 11msc

Frequency Range (GHz)	Bandwidth (MHz)	Insertion loss (dB) max	Isolation (dB) min	VSWR (max)	Forward Power (CW)	Reverse Power (CW)
2.4-2.7	300	0.5	50	1.15	10W	5

PAGE 1 OF 1		DATE	JAN 12 th 2007
<small>PROPRIETARY INFORMATION THE INFORMATION CONTAINED IN THIS DOCUMENT IS THE PROPERTY OF RF-LAMBDA EXCEPT AS SPECIFICALLY AUTHORIZED IN WRITINGS BY RF-LAMBDA. THE HOLDER OF THIS DOCUMENT SHALL KEEP ALL INFORMATION CONTAINED HEREIN CONFIDENTIAL AND SHALL PROTECT SAME IN THE WHOLE OR IN PART FROM DISCLOSURE AND DISSEMINATION OF ALL THIRD PARTIES AND SHALL USE SAME FOR OPERATING AND MAINTENANCE PURPOSES ONLY</small>		DESIGN	RFPC
		RF-LAMBDA	RFPC
		CAD MODEL REVISION	02
		ASSEMBLY REVISION	VS23
 RFLI313D2550S1 Triple Junction Isolator		ASSEMBLY NAME	RFLVR54
		DRAWING NUMBER	D02-12
www.rflambda.com		RF-LAMBDA	SIZE LT
		SHEETS	1 OF 1