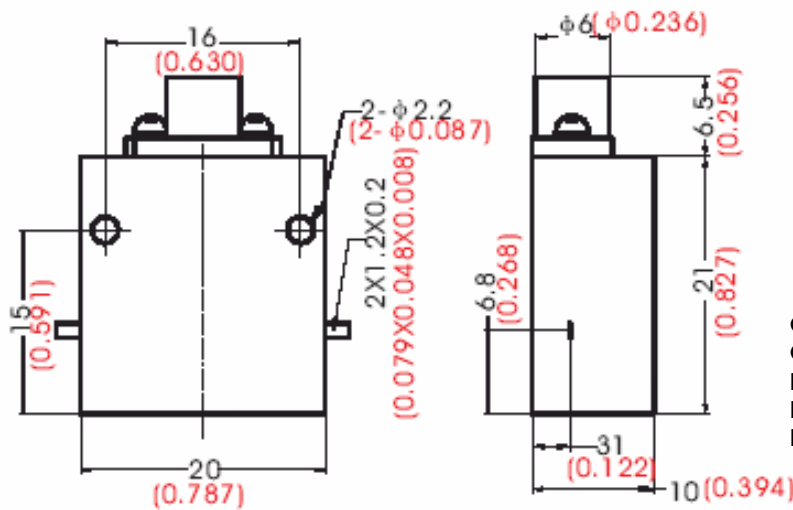


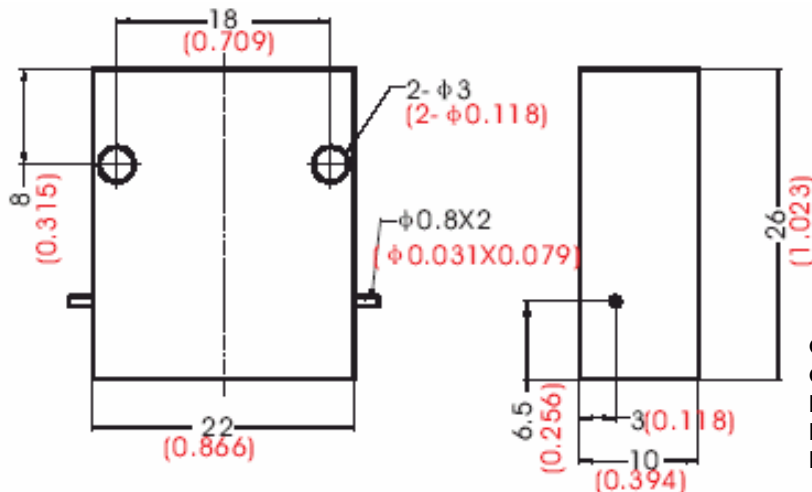


RFLI-304					
Part Number	Frequency (GHz)	Bandwidth (MHz)	Insert. Loss (dB)	Isolation (dB)	VSWR
RFLI-304-1	1.7~2.7	50	3	25	1.15
RFLI-304-2		100	0.4	23	1.20
RFLI-304-3		200	0.5	20	1.25



Case Type: Drop-in  
 Operating Temperature: -55~+85°C  
 Forward Power: 10W (CW)  
 Reverse Power: 1W (CW)  
 Higher power unit available.

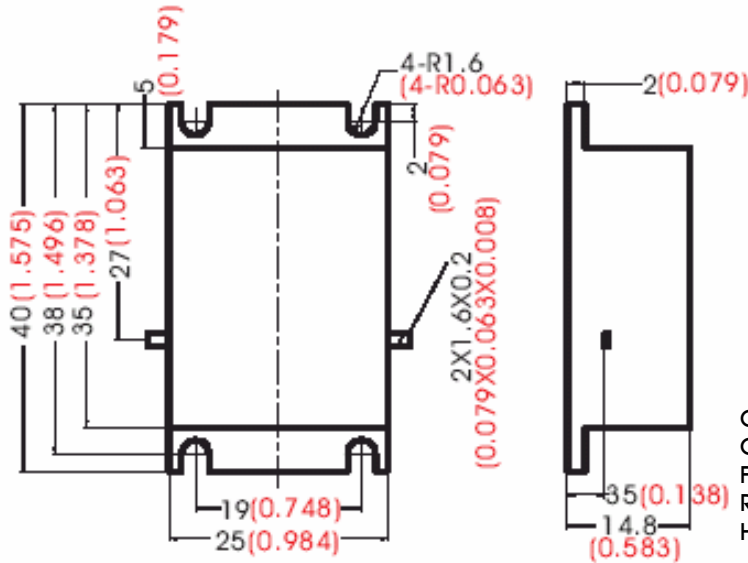
RFLI-306					
Part Number	Frequency (GHz)	Bandwidth (MHz)	Insert. Loss (dB)	Isolation (dB)	VSWR
RFLI-306-1	2.0~4.0	200	0.3	25	1.20
RFLI-306-2		400	0.4	23	1.25



Case Type: Drop-in  
 Operating Temperature: -40~+70°C  
 Forward Power: 10W (CW)  
 Reverse Power: 2W (CW)  
 Higher power unit available.

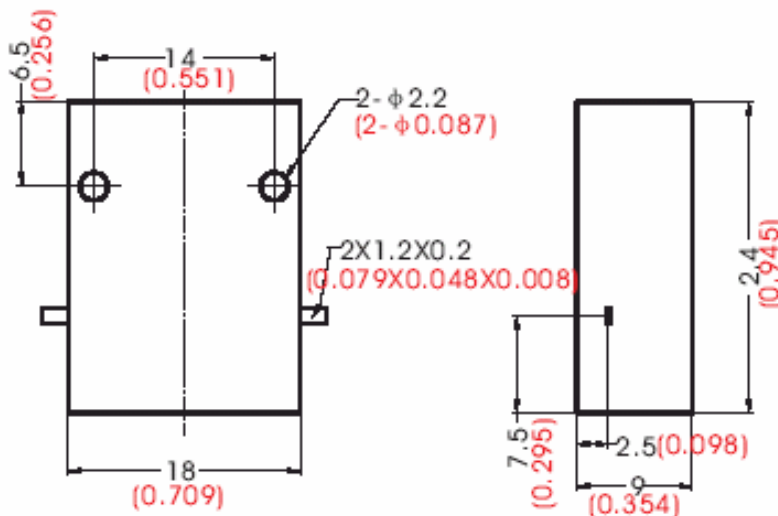


RFLI-311A					
Part Number	Frequency (GHz)	Bandwidth (MHz)	Insert. Loss (dB)	Isolation (dB)	VSWR
RFLI-311A	2.5~4	300	0.3	20	1.20



Case Type: Drop-in  
 Operating Temperature: -55~+85°C  
 Forward Power: 40/400 (Average/Peak) W  
 Reverse Power: 40/400 (Average/Peak) W  
 Higher power unit available

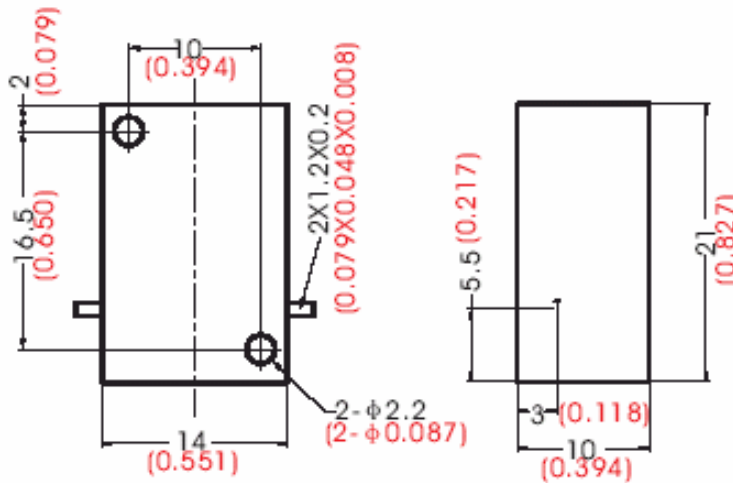
RFLI-312					
Part Number	Frequency (GHz)	Bandwidth (MHz)	Insert. Loss (dB)	Isolation (dB)	VSWR
RFLI-312-1	2.5~4.0	100	0.3	25	1.15
RFLI-312-2		200	0.4	23	1.20
RFLI-312-3		300	0.5	20	1.25



Case Type: Drop-in  
 Operating Temperature: -40~+70°C  
 Forward Power: 10W (CW)  
 Reverse Power: 2W (CW)  
 Higher power unit available

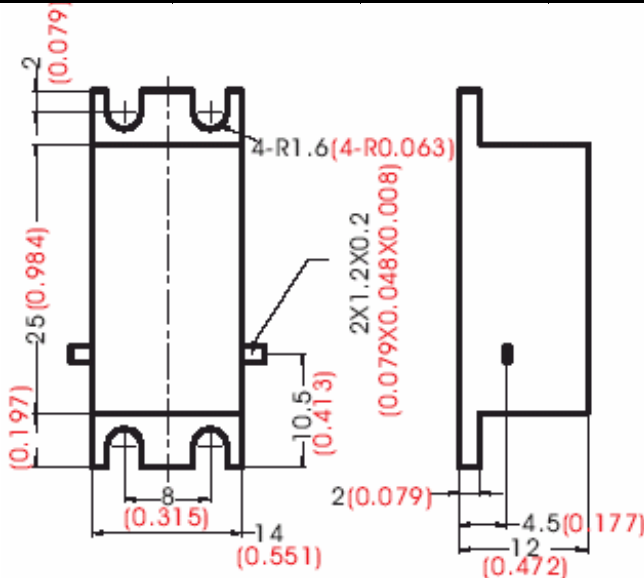


RFLI-314					
Part Number	Frequency (GHz)	Bandwidth (MHz)	Insert. Loss (dB)	Isolation (dB)	VSWR
RFLI-314-1	3~4	50	0.3	25	1.15
RFLI-314-2		100	0.3	23	1.15
RFLI-314-3		200	0.4	20	1.20



Case Type: Drop-in  
 Operating Temperature: -40~+70°C  
 Forward Power: 10W (CW)  
 Reverse Power: 2W (CW)  
 Higher power unit available

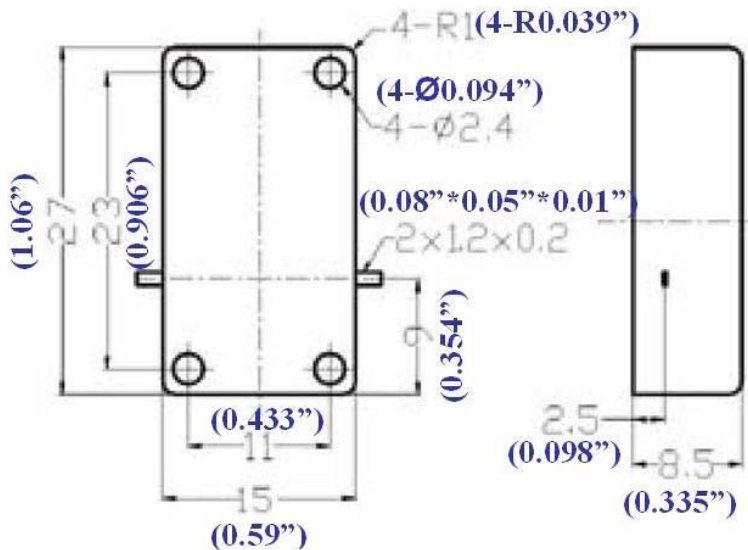
RFLI-314A					
Part Number	Frequency (GHz)	Bandwidth (MHz)	Insert. Loss (dB)	Isolation (dB)	VSWR
RFLI-314A-1	2.3~4	50	0.3	25	1.15
RFLI-314A-2		100	0.4	23	1.20
RFLI-314A-3		300	0.3	20	1.20



Case Type: Drop-in  
 Operating Temperature: -40~+70°C  
 Forward Power: 30/60 W  
 Reverse Power: 30/60 W

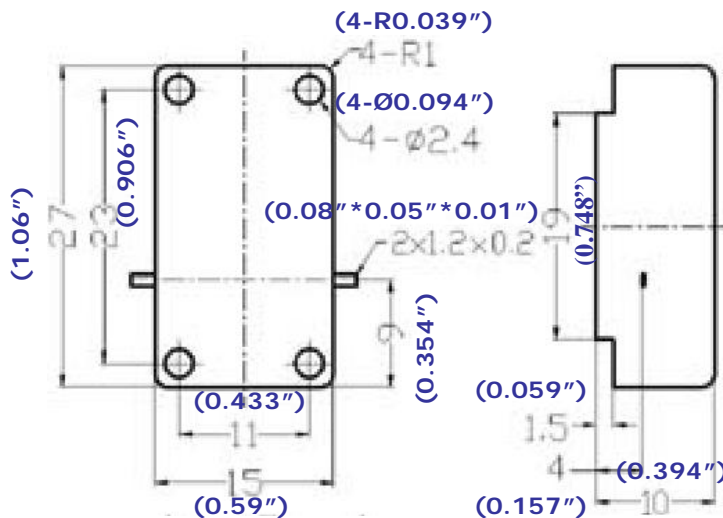


RFLI-315					
Part Number	Frequency (GHz)	Bandwidth (MHz)	Insert. Loss (dB)	Isolation (dB)	VSWR
RFLI-315-1	2.5~4.2	50	0.3	25	1.15
RFLI-315-2		100	0.4	23	1.20
RFLI-315-3		200	0.4	20	1.25



Case Type: Drop-in /SMA  
 Operating Temperature: -40~+70°C  
 Forward Power: 4/40 (Average / Peak) W  
 Reverse Power: 4/40 (Average / Peak) W  
 Higher power unit available

RFLI-315A					
Part Number	Frequency (GHz)	Bandwidth (MHz)	Insert. Loss (dB)	Isolation (dB)	VSWR
RFLI-315A-1	2.5~4.2	50	0.3	25	1.15
RFLI-315A-2		100	0.4	23	1.20
RFLI-315A-3		200	0.5	20	1.25



Case Type: Drop-in /SMA  
 Operating Temperature: -40~+70°C  
 Forward Power: 10/100 (Average / Peak) W  
 Reverse Power: 10/100 (Average / Peak) W  
 Higher power unit available