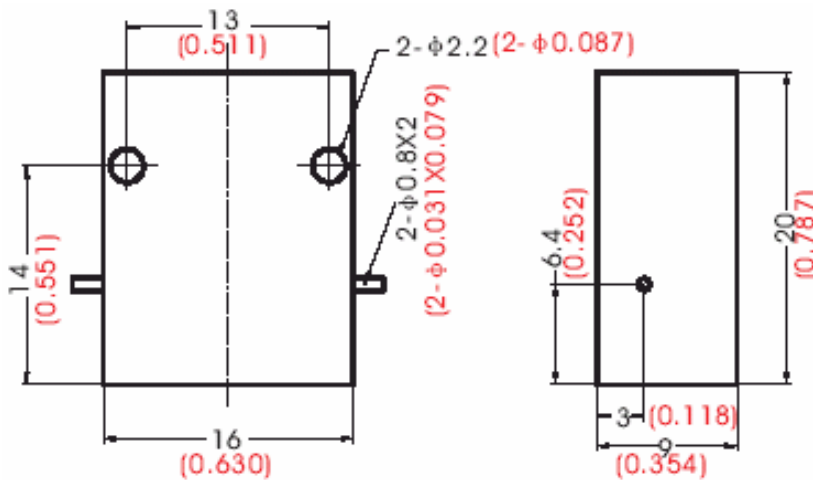




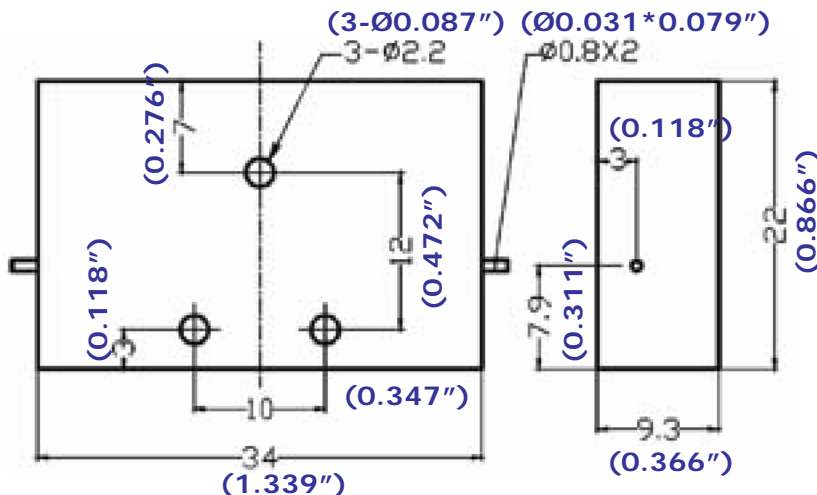
C Band Drop-in Isolator

RFLI-404					
Part Number	Frequency (GHz)	Bandwidth (MHz)	Insert. Loss (dB)	Isolation (dB)	VSWR
RFLI-404-1	3.4~6.5	300	0.25	25	1.15
RFLI-404-2		600	0.3	23	1.20



Case Type: Drop-In
 Operating Temperature: -40~+70°C
 Forward Power: 10W (CW)
 Reverse Power: 2W (CW)
 Higher power unit available

RFLI-405					
Part Number	Frequency (GHz)	Bandwidth (MHz)	Insert. Loss (dB)	Isolation (dB)	VSWR
RFLI-405-1	3.4~6.5	300	0.6	50	1.15
RFLI-405-2		600	0.8	45	1.20

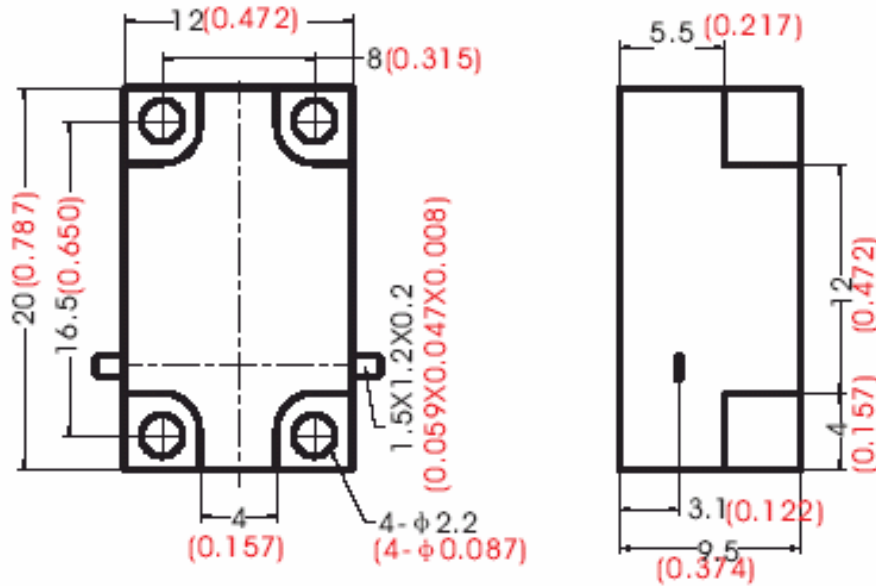


Case Type: Drop-In
 Operating Temperature: -40~+70°C
 Forward Power: 10W (CW)
 Reverse Power: 2W (CW)
 Higher power unit available



C Band Drop-in Isolator

RFLI-407					
Part Number	Frequency (GHz)	Bandwidth (MHz)	Insert. Loss (dB)	Isolation (dB)	VSWR
RFLI-407-1	5.0~7.0	400	0.3	25	1.15
RFLI-407-2		800	0.4	23	1.20



Case Type: Drop-In
 Operating Temperature: -40~+70°C
 Forward Power: 10W (CW)
 Reverse Power: 2W (CW)
 Higher power unit available