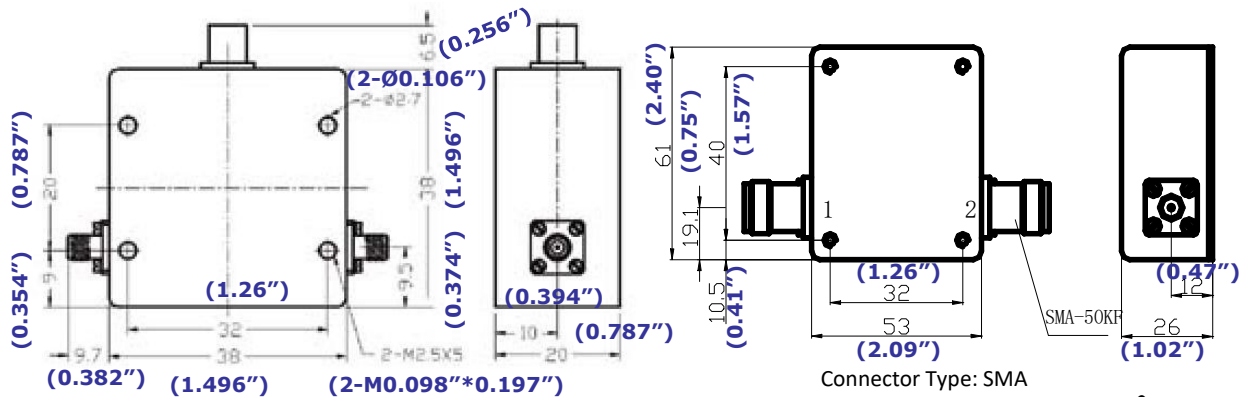


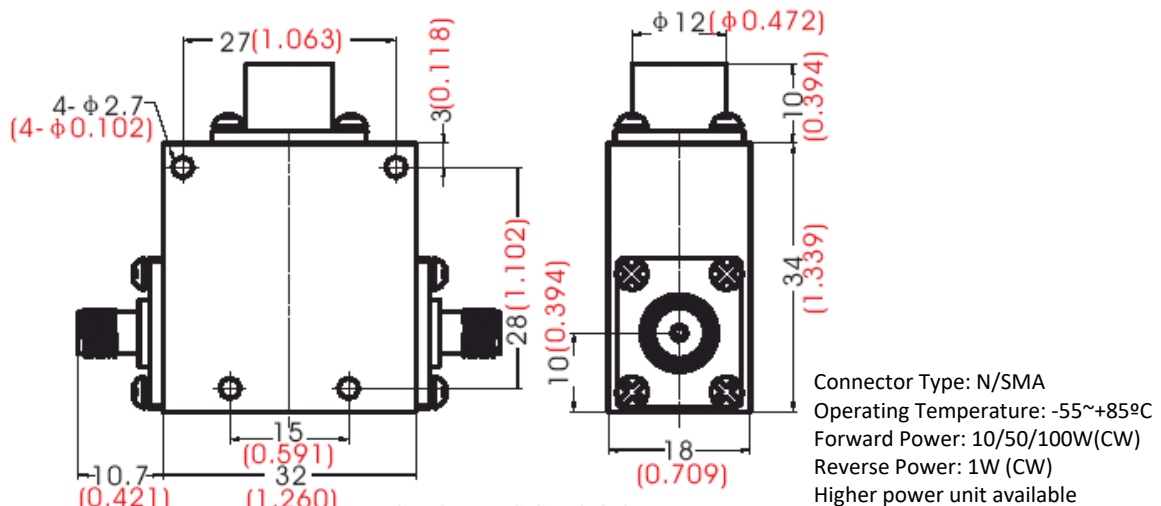


Part Number	Frequency (GHz)	Bandwidth (MHz)	Insert. Loss (dB)	Isolation (dB)	VSWR
RFLI-101-1	0.4~0.7	50	0.4	23	1.20
RFLI-101-2		100	0.5	20	1.25
RFLI-101-3	0.2~1.0	Max.50% Center Frequency	1	18	1.25



Connector Type: SMA
 Operating Temperature: -40~+70°C
 Forward Power: 10/50/100W(CW)
 Reverse Power: 1W (CW)
 Higher power unit available

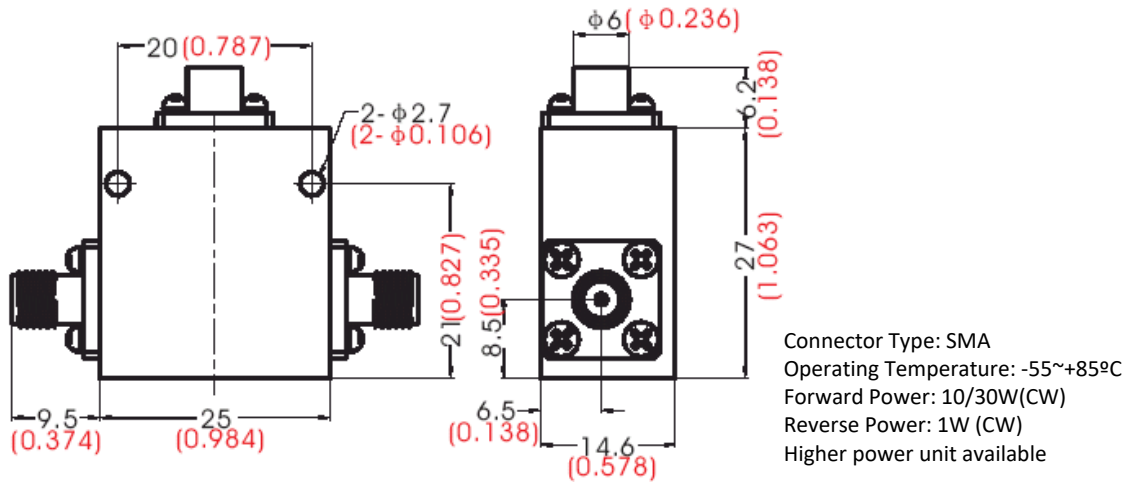
RFLI-201					
Part Number	Frequency (GHz)	Bandwidth (MHz)	Insert. Loss (dB)	Isolation (dB)	VSWR
RFLI-201-1	0.7~ 1.4	50	0.3	25	1.15
RFLI-201-2		100	0.4	23	1.20
RFLI-201-3		250	0.5	20	1.25



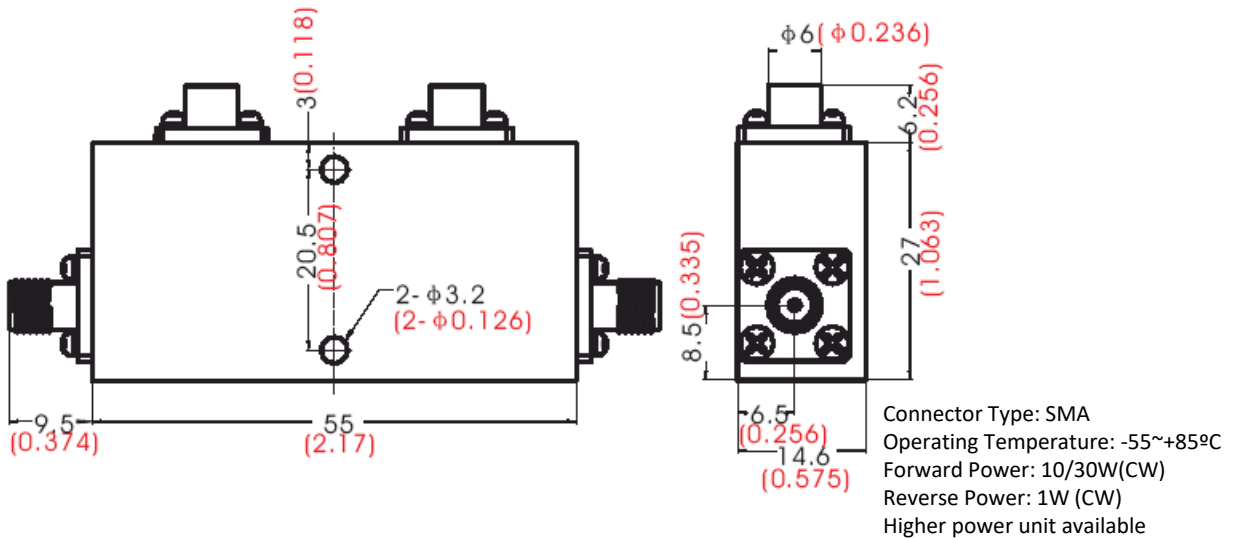
Connector Type: N/SMA
 Operating Temperature: -55~+85°C
 Forward Power: 10/50/100W(CW)
 Reverse Power: 1W (CW)
 Higher power unit available



RFLI-202					
Part Number	Frequency (GHz)	Bandwidth (MHz)	Insert. Loss (dB)	Isolation (dB)	VSWR
RFLI-202-1	0.9~ 1.7	100	0.3	25.00	1.15
RFLI-202-2		200	0.4	23	1.20
RFLI-202-3		250	0.5	20	1.25

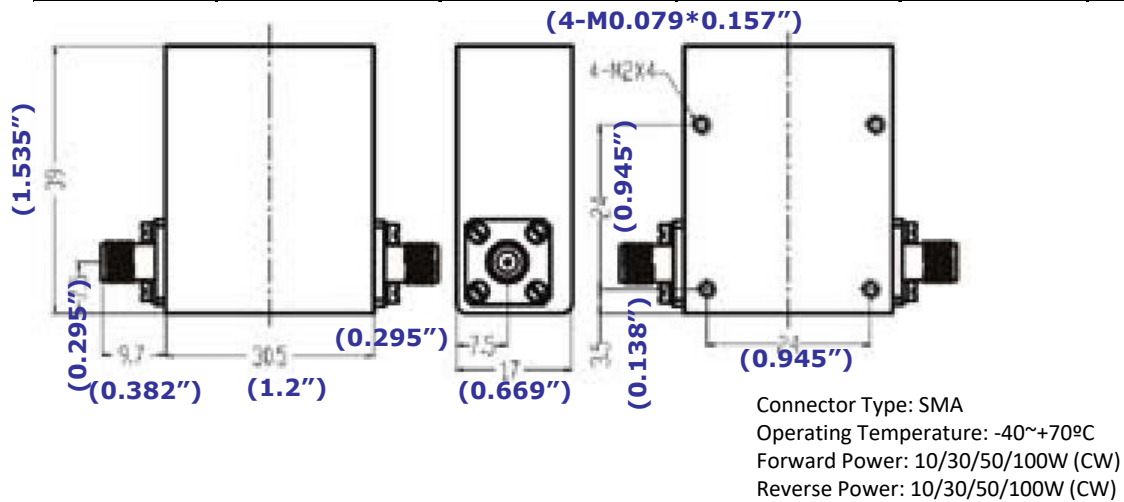


RFLI-206					
Part Number	Frequency (GHz)	Bandwidth (MHz)	Insert. Loss (dB)	Isolation (dB)	VSWR
RFLI-206-1	0.9~ 1.7	50	0.6	50	1.15
RFLI-206-2		100	0.8	45	1.20
RFLI-206-3		250	1	40	1.25

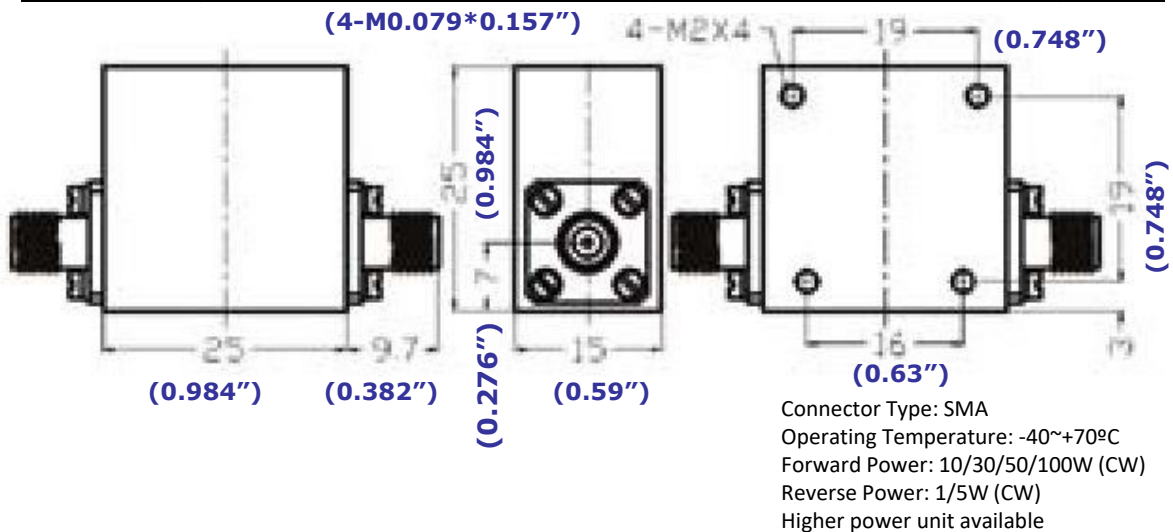




RFLI-2101					
Part Number	Frequency (GHz)	Bandwidth (MHz)	Insert. Loss (dB)	Isolation (dB)	VSWR
RFLI-2101-1	0.7~ 1.4	50	0.3	25	1.15
RFLI-2101-2		100	0.4	23	1.20
RFLI-2101-3		250	0.5	20	1.25

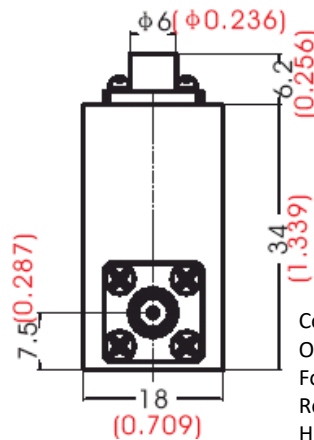
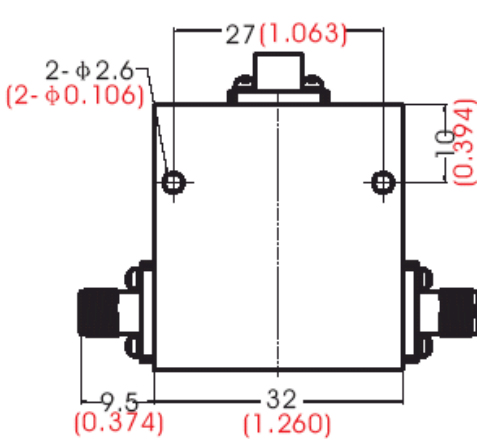


RFLI-2103					
Part Number	Frequency (GHz)	Bandwidth (MHz)	Insert. Loss (dB)	Isolation (dB)	VSWR
RFLI-2103-1	0.8~ 1.5	50	0.3	25	1.15
RFLI-2103-2		100	0.4	23	1.20
RFLI-2103-3		250	0.5	20	1.25



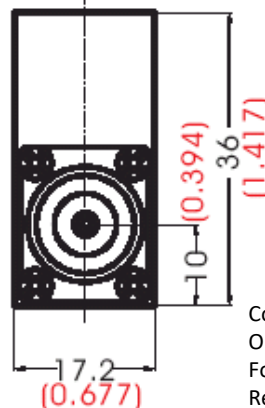
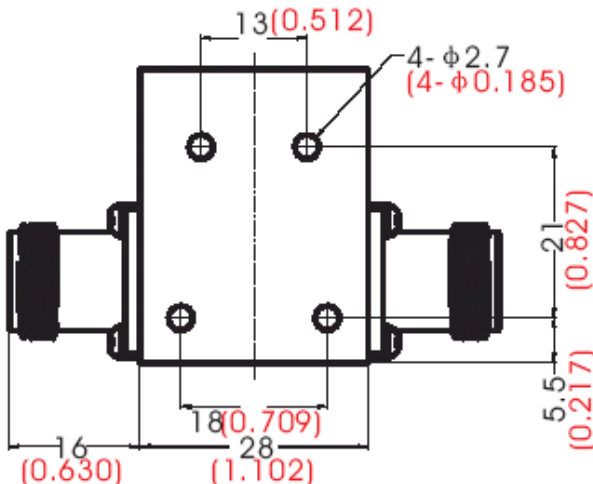


RFLI-201A					
Part Number	Frequency (GHz)	Bandwidth (MHz)	Insert. Loss (dB)	Isolation (dB)	VSWR
RFLI-201A-1	0.8~1.3	50	0.3	25	1.15
RFLI-201A-2		100	0.4	23	1.20
RFLI-201A-3		250	0.5	20	1.25



Connector Type: SMA
 Operating Temperature: -55~+85°C
 Forward Power: 10/50/100W(CW)
 Reverse Power: 1W (CW)
 Higher power unit available

RFLI-201B					
Part Number	Frequency (GHz)	Bandwidth (MHz)	Insert. Loss (dB)	Isolation (dB)	VSWR
RFLI-201B-1	0.9~1.8	50	0.3	25	1.15
RFLI-201B-2		100	0.4	23	1.20
RFLI-201B-3		250	0.5	20	1.25



Connector Type: SMA
 Operating Temperature: -55~+85°C
 Forward Power: 10/50/100W(CW)
 Reverse Power: 10/30/100W(CW)