

Tube LOW Pass Filter DC-10GHz



Key Features

- Miniaturized Tube low Pass Filter
- Flat frequency response and low insertion loss
- Designs that Cover up to 40 GHz Also Available
- MIL-E-5400 standard

Typical Applications

- Wireless Infrastructure
- Military and Aerospace
- Test and Measurement
- 5G LTE Communications

Electrical Specifications, $T_A = 25^\circ\text{C}$

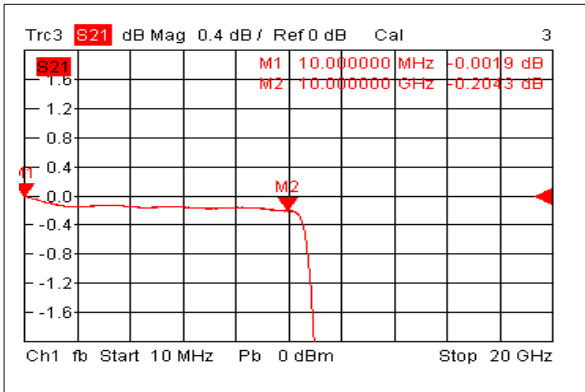
Parameters		Min	Typ	Max	Units
Frequency Range		DC		10	GHz
Insertion Loss			0.25	0.4	dB
VSWR			1.22	1.25	: 1
Rejection	@20GHz	60	61		dB
Power Rating	Average			60	W
	Peak			500	W
Impedance		50			Ohms
Weight		0.5 Max.			oz
Input / Output Connectors		SMA-Female / SMA-Male			
Material		Aluminum			
Finish		Blue Paint			

Environmental Specifications and Test Standards

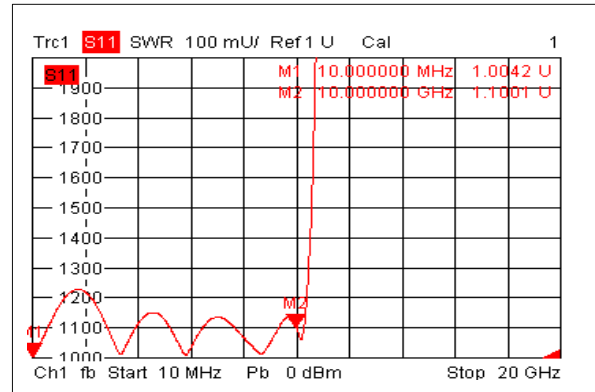
Parameter	Description
Operational Temperature	-40°C~+85°C (Case Temperature)
Storage Temperature	-50°C~+105°C
Thermal Shock	40°C → +85°C (5 Cycles / 10 hours)
Random Vibration	MIL-STD-202G Table 214-I, Test Condition Letter C 1.5 Hours Per Axis
High Temperature Burn In	Temperature +85°C for 72 Hours
Shock	1. Weight >20g, 50g half sine wave for 11ms, Speed variation 3.44m/s 2. Weight <=20g, 100g Half sine wave for 6ms, Speed variation 3.75m/s 3. Total 18 times (6 directions, 3 repetitions per direction).
Altitude	Standard: 30,000 Ft (Epoxy Sealed Controlled Environment) Optional: Hermetically Sealed (60,000 ft. 1.0 PSI min)
Hermetically Sealed (Optional)	MIL-STD-883 (For Hermetically Sealed Units)

Typical Performance Plots

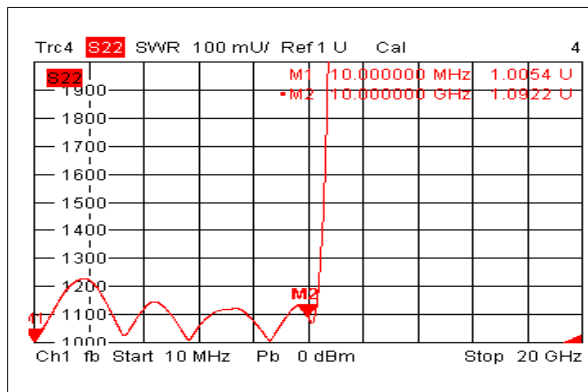
Insertion Loss



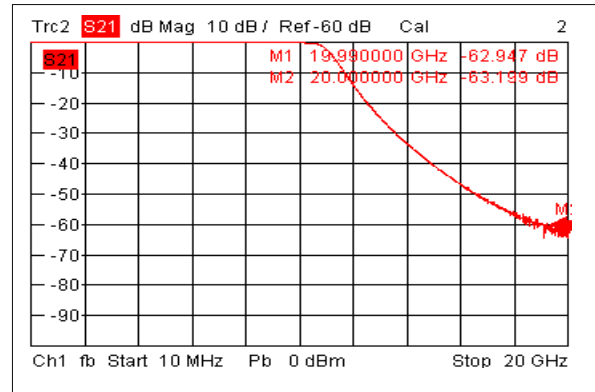
Input VSWR



Output VSWR

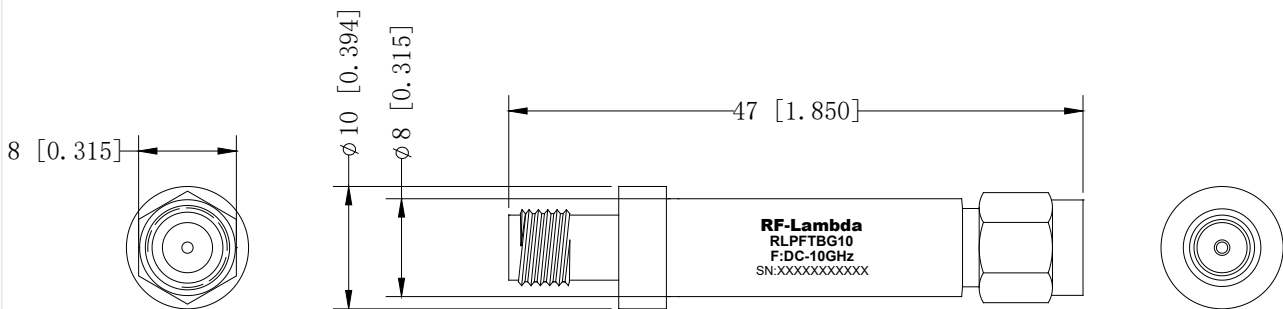


Rejection



Outline Drawing

All Dimensions in mm [inches]
Outline Tolerances ± 0.5 [0.02]
Mounting Hole Tolerances ± 0.2 [0.008]



Note: Standard torque wrench must be used to secure RF connectors.

Important Notice

The information contained herein is believed to be reliable. RF-Lambda makes no warranties regarding the information contained herein. RF-Lambda assumes no responsibility or liability whatsoever for any of the information contained herein. RF-Lambda assumes no responsibility or liability whatsoever for the use of the information contained herein. The information contained herein is provided "AS IS, WHERE IS" and with all faults, and the entire risk associated with such information is entirely with the user. All information contained herein is subject to change without notice. Customers should obtain and verify the latest relevant information before placing orders for RF-Lambda products. The information contained herein or any use of such information does not grant, explicitly or implicitly, to any party any patent rights, licenses, or any other intellectual property rights, whether with regard to such information itself or anything described by such information. RF-Lambda products are not warranted or authorized for use as critical components in medical, life-saving, or life sustaining applications, or other applications where a failure would reasonably be expected to cause severe personal injury or death.