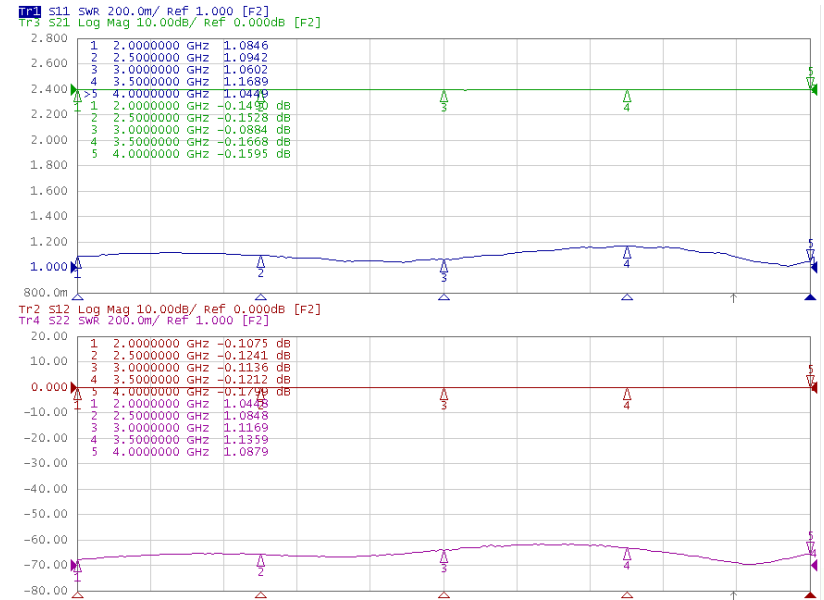
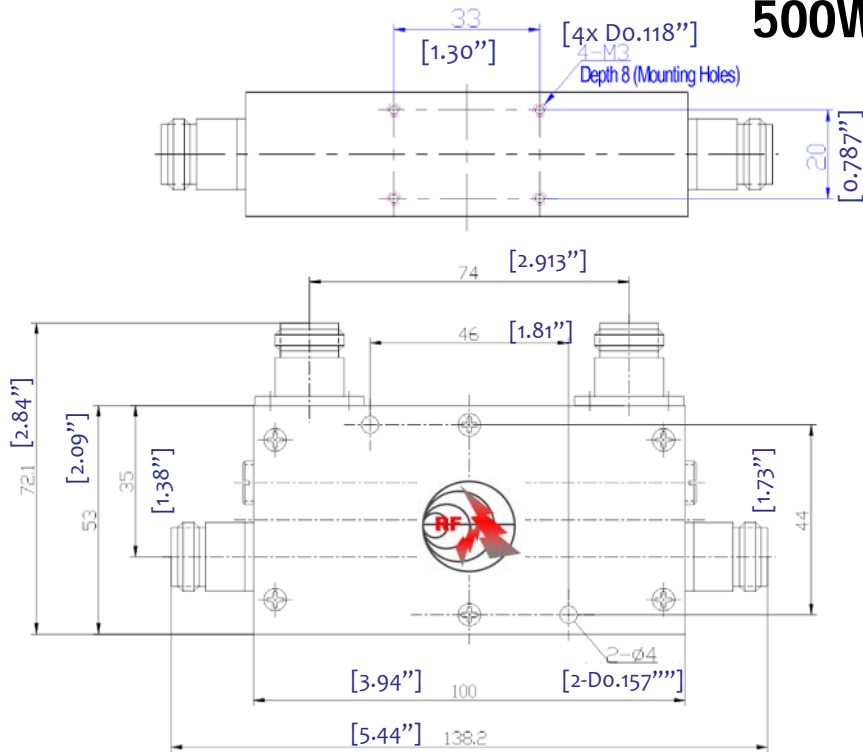


500W HIGH POWER DIRECTIONAL COUPLER ---RFDC2G4GXX




1.0	Mechanical Specifications	
1.1	Connector	N-Female Brass, Nickle Plate
1.2	Connect Pins	Beryllium Copper, Gold Plate
1.3	Housing	Aluminum, Black paint
1.4	Insulators	Ptee, Virgin Electrical grade

3.0	Electrical Specifications					
Part Number	Freq. (GHz)	Coupling (dB)	Insertion Loss (dB)	Directivity (dB)	Average Power (W)	VSWR
RFDC2G4G20	2.0-4.0	20	0.30	22	500	1.20
RFDC2G4G30	2.0-4.0	30	0.30	20	500	1.20

2.0	Environment specifications	
2.1	Operation Temp.	-35°C~+65°C
2.2	Storage Temp.	-40°C~+70°C
2.3	Altitude	45000 ft
2.4	Vibration	10g rms (15 degree 2KHz)
2.5	Humidity	100% RH at 35c, 95%RH at 40 deg c
2.6	Shock	20G for 11msec



PAGE 1 OF 1	DATE Apr 14 2006
PROPRIETARY INFORMATION THE INFORMATION CONTAINED IN THIS DOCUMENT IS THE PROPERTY OF RF-LAMBDA EXCEPT AS SPECIFICALLY AUTHORIZED IN WRITINGS BY RF-LAMBDA. THE HOLDER OF THIS DOCUMENT SHALL KEEP ALL INFORMATION CONTAINED HEREIN CONFIDENTIAL AND SHALL PROTECT SAME IN THE WHOLE OR IN PART FROM DISCLOSURE AND DISSEMINATION OF ALL THIRD PARTIES AND SHALL USE SAME FOR OPERATING AND MAINTENANCE PURPOSES ONLY	DESIGN RFPC
 RFDC2G4GXX HIGH POWER DIRECTIONAL COUPLER	RF-LAMBDA RFPC
www.rflambda.com	CAD MODEL REVISION o8
RF-LAMBDA	ASSEMBLY REVISION VS4A2
SIZE LT	ASSEMBLY NAME RFLV07
SHEETS 1 OF 1	DRAWING NUMBER D05-2