

## Right Angel Adapter 3.5mm Male to 2.4mm Male DC - 33GHz



**Features**

- Wide band operation
- Low VSWR
- 50 Ohm Matched

**Typical Applications**

- Enables Between Series Connections
- Test and Measurement

**Electrical Specifications, TA = +25 °C**

| Parameter         | Min.                         | Typ. | Max. | Units |
|-------------------|------------------------------|------|------|-------|
| Frequency Range   | DC                           |      | 33   | GHz   |
| VSWR              |                              |      | 1.25 | : 1   |
| Insertion Loss    |                              |      | 0.29 | dB    |
| Impedance         | 50                           |      |      | Ohms  |
| Connectors        | 3.5mm-Male/2.4mm-Male        |      |      |       |
| Material          | Stainless Steel              |      |      |       |
| Surface Treatment | Passivated                   |      |      |       |
| Center PIN        | Beryllium Copper Gold Plated |      |      |       |
| Insulate material | PEI                          |      |      |       |

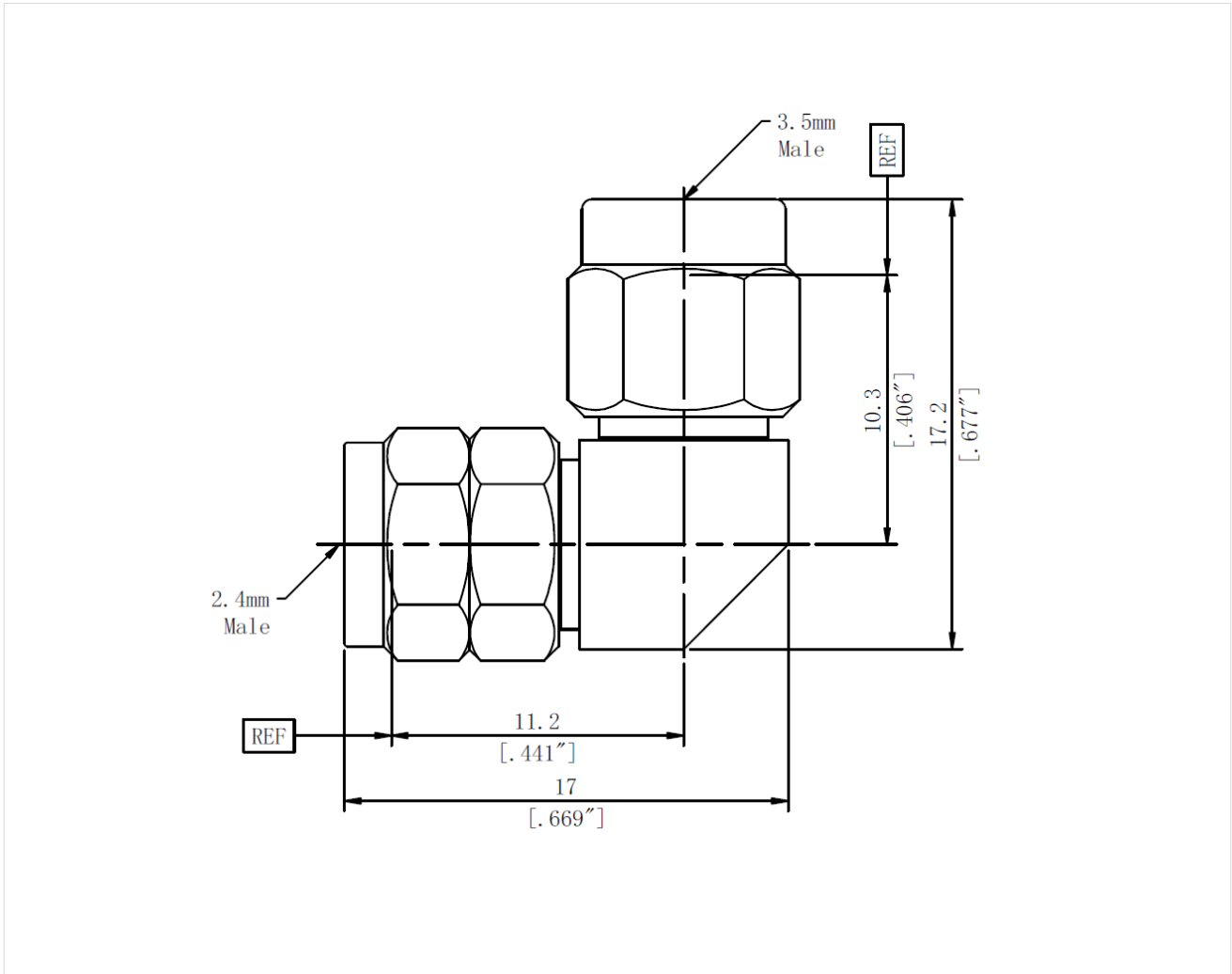
**Environmental Specifications and Test Standards**

| Parameter                      | Description   |
|--------------------------------|---|
| Operational Temperature        | -55°C~+165°C  |
| Storage Temperature            | -60°C~+185°C  |
| Thermal Shock                  | -55°C → +165°C<br>(5 Cycles / 10 hours)   |
| Random Vibration               | MIL-STD-202G<br>Table 214-I, Test Condition Letter C<br>1.5 Hours Per Axis  |
| High Temperature Burn In       | Temperature +85°C for 72 Hours  |
| Shock                          | 1. Weight >20g, 50g half sine wave for 11ms, Speed variation 3.44m/s<br>2. Weight <=20g, 100g Half sine wave for 6ms, Speed variation 3.75m/s<br>3. Total 18 times (6 directions, 3 repetitions per direction). |
| Altitude                       | Standard: 30,000 Ft (Epoxy Sealed Controlled Environment)<br>Optional: Hermetically Sealed (60,000 ft. 1.0 PSI min)   |
| Hermetically Sealed (Optional) | MIL-STD-883 (For Hermetically Sealed Units)   |

**Right Angel Adapter 3.5mm Male to 2.4mm Male DC - 33GHz**

**Outline Drawing:**

All Dimensions in mm [inches]



**Important Notice**

The information contained herein is believed to be reliable. RF-Lambda makes no warranties regarding the information contained herein. RF-Lambda assumes no responsibility or liability whatsoever for any of the information contained herein. RF-Lambda assumes no responsibility or liability whatsoever for the use of the information contained herein. The information contained herein is provided "AS IS, WHERE IS" and with all faults, and the entire risk associated with such information is entirely with the user. All information contained herein is subject to change without notice. Customers should obtain and verify the latest relevant information before placing orders for RF-Lambda products. The information contained herein or any use of such information does not grant, explicitly or implicitly, to any party any patent rights, licenses, or any other intellectual property rights, whether with regard to such information itself or anything described by such information. RF-Lambda products are not warranted or authorized for use as critical components in medical, life-saving, or life sustaining applications, or other applications where a failure would reasonably be expected to cause severe personal injury or death.

**Right Angel Adapter 3.5mm Male to 2.4mm Male DG - 33GHz**