

Ultra Wide Band Coaxial Circulator 240 ~ 400MHz



Note: The photo is for illustration purposes only.
Please refer to outline drawing

Features

- High power handling up to 50W
- High isolation within operational band
- Low Insertion Loss
- Stable performance over temperature

Typical Applications

- Aerospace and military applications
- Test and Measurement
- Wireless infrastructure

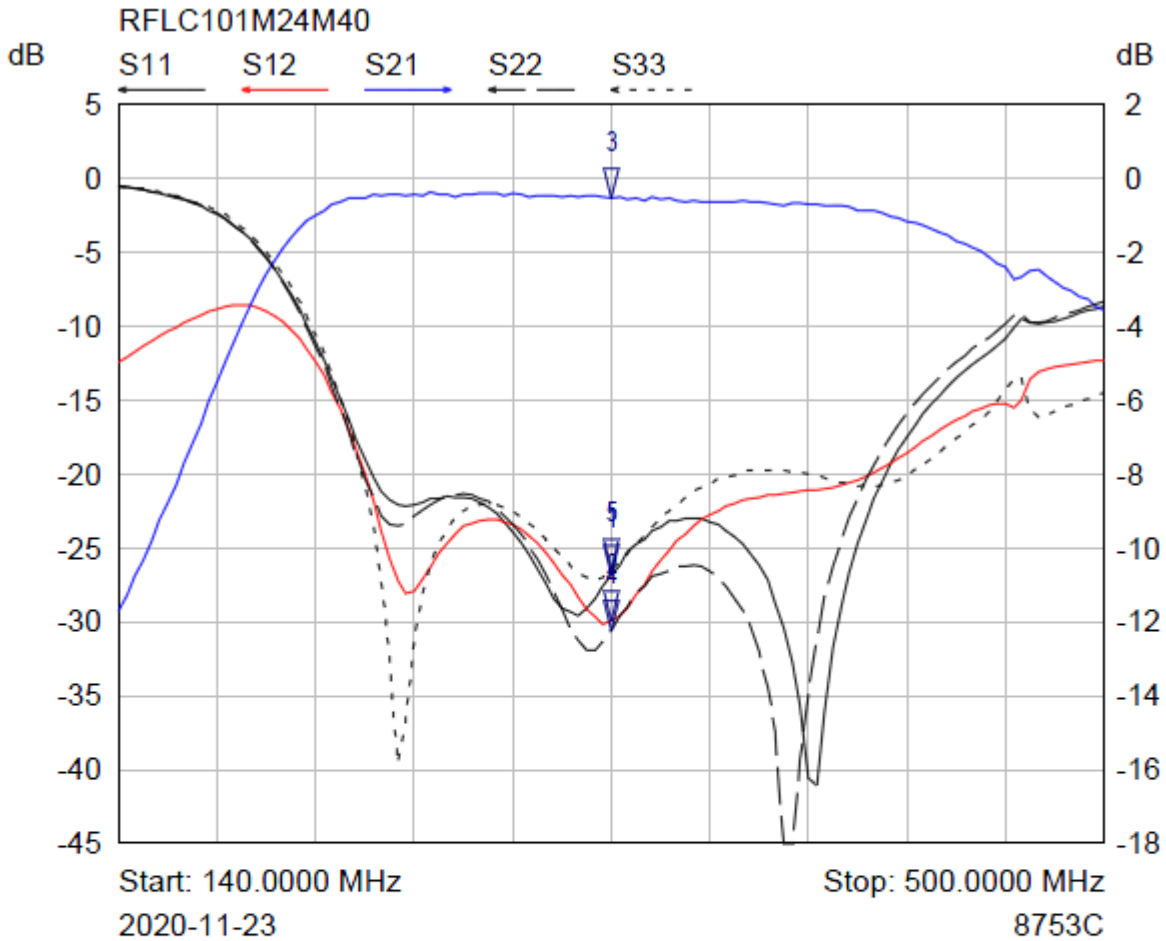
Electrical Specifications, $T_A=25\text{ }^\circ\text{C}$

Parameter	Min.	Typ.	Max.	Units
Frequency Range	240-400			MHz
Insertion Loss		0.7	0.8	dB
Isolation (Note 1)	18	19		dB
VSWR		1.25	1.29	:1
Forward Power			50	W
Rotation	Clockwise			
Input / Output Connectors	SMA-Female or N-Female			
Finish	Nickel Plated			
Case Material	Aluminum Alloy / Copper			
Impedance	50			Ω
<p>Note 1: Units which have a narrower frequency bandwidth can achieve higher isolation & lower insertion loss</p> <p>Bandwidth (5 ~10) % x Center Frequency (Isolation >20dB)</p> <p>Bandwidth (20~30) % x Center Frequency (Isolation >19dB)</p> <p>Bandwidth (40~60) % x Center Frequency (Isolation >18dB)</p> <p>Ask manufacturer for details</p>				

Environmental Specifications and Test Standards

Parameter	Description
Operational Temperature	-40°C~+70°C
Storage Temperature	-40°C~+85°C
Thermal Shock	-40°C~+70°C (5 Cycles / 10 hours)
Random Vibration	MIL-STD-202G Table 214-I, Test Condition Letter C 1.5 Hours Per Axis
High Temperature Burn In	Temperature +85°C for 72 Hours
Shock	1. Weight >20g, 50g half sine wave for 11ms, Speed variation 3.44m/s 2. Weight <=20g, 100g Half sine wave for 6ms, Speed variation 3.75m/s 3. Total 18 times (6 directions, 3 repetitions per direction).
Altitude	Standard: 30,000 Ft (Epoxy Sealed Controlled Environment) Optional: Hermetically Sealed (60,000 ft. 1.0 PSI min)
Hermetically Sealed (Optional)	MIL-STD-883 (For Hermetically Sealed Units)

Typical Performance Plots



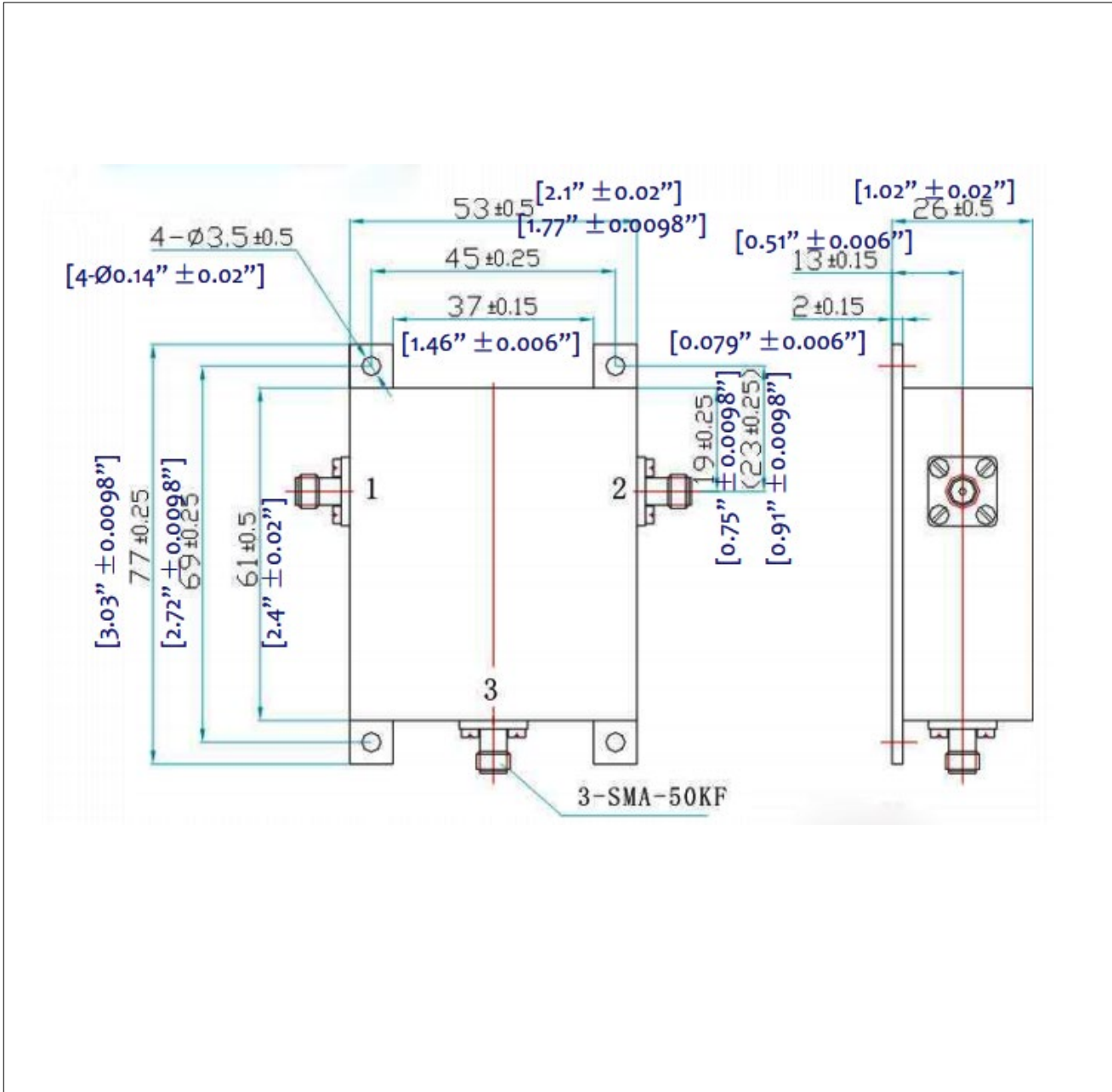
Mkr	Trace	X-Axis	Value	Notes
1 ▾	S11	320.0000 MHz	-26.85 dB	
2 ▾	S12	320.0000 MHz	-29.92 dB	
3 ▾	S21	320.0000 MHz	-0.53 dB	
4 ▾	S22	320.0000 MHz	-30.55 dB	
5 ▾	S33	320.0000 MHz	-26.40 dB	

SN:201105

Ultra Wide Band Coaxial Circulator 240 ~ 400MHz

Outline Drawing:

All Dimensions in mm [inches]



Ultra Wide Band Coaxial Circulator 240 ~ 400MHz

Important Notice

The information contained herein is believed to be reliable. RF-Lambda makes no warranties regarding the information contained herein. RF-Lambda assumes no responsibility or liability whatsoever for any of the information contained herein. RF-Lambda assumes no responsibility or liability whatsoever for the use of the information contained herein. The information contained herein is provided "AS IS, WHERE IS" and with all faults, and the entire risk associated with such information is entirely with the user. All information contained herein is subject to change without notice. Customers should obtain and verify the latest relevant information before placing orders for RF-Lambda products. The information contained herein or any use of such information does not grant, explicitly or implicitly, to any party any patent rights, licenses, or any other intellectual property rights, whether with regard to such information itself or anything described by such information. RF-Lambda products are not warranted or authorized for use as critical components in medical, life-saving, or life sustaining applications, or other applications where a failure would reasonably be expected to cause severe personal injury or death.