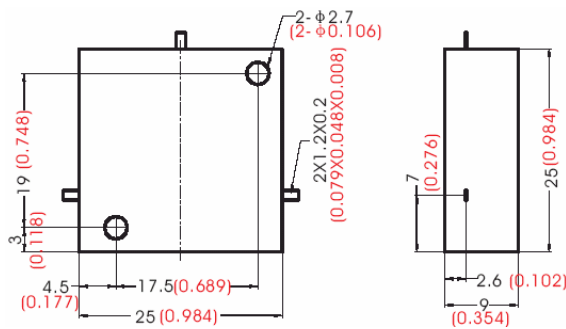
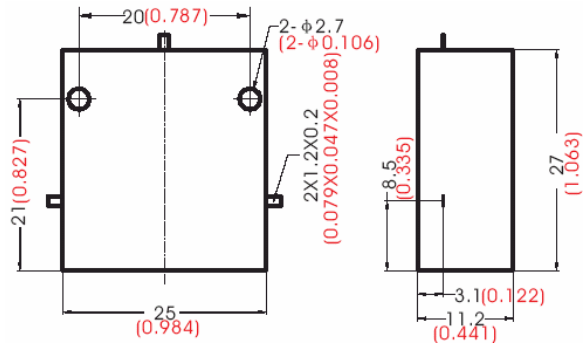




## L Band Drop-in Circulator

| RFLC-203    |                 |                 |                   |                |      |
|-------------|-----------------|-----------------|-------------------|----------------|------|
| Part Number | Frequency (GHz) | Bandwidth (MHz) | Insert. Loss (dB) | Isolation (dB) | VSWR |
| RFLC-203-1  | 0.85~1.7        | 50              | 0.3               | 23             | 1.15 |
| RFLC-203-2  |                 | 100             | 0.4               | 21             | 1.20 |
| RFLC-203-3  |                 | 200             | 0.5               | 19             | 1.25 |
| RFLC-203-4  | 0.75~0.9        | 50              | 0.4               | 21             | 1.20 |

Case Type: Drop-in  
 Operating Temperature: -55~+85°C  
 Forward Power: 10/50W (CW)  
 Higher power unit available upon request.



| RFLC-203A   |                 |                 |                   |                |      |
|-------------|-----------------|-----------------|-------------------|----------------|------|
| Part Number | Frequency (GHz) | Bandwidth (MHz) | Insert. Loss (dB) | Isolation (dB) | VSWR |
| RFLC-203A-1 | 0.8~1.7         | 50              | 0.3               | 23             | 1.15 |
| RFLC-203A-2 | 0.8~1.7         | 100             | 0.4               | 20             | 1.20 |
| RFLC-203A-3 | 0.8~1.7         | 200             | 0.5               | 18             | 1.25 |

Case Type: Drop-in  
 Operating Temperature: -40~+85°C  
 Forward Power: 10/30/50W (CW)  
 Higher power unit available upon request.

| RFLC-214    |                 |                 |                   |                |      |
|-------------|-----------------|-----------------|-------------------|----------------|------|
| Part Number | Frequency (GHz) | Bandwidth (MHz) | Insert. Loss (dB) | Isolation (dB) | VSWR |
| RFLC-214-1  | 0.8~2.2         | 50              | 0.3               | 23             | 1.15 |
| RFLC-214-2  |                 | 100             | 0.4               | 20             | 1.20 |
| RFLC-214-3  | 0.825~0.880     | Full            | 0.3               | 23             | 1.20 |
| RFLC-214-4  | 0.925~0.965     | Full            | 0.25              | 23             | 1.15 |
| RFLC-214-5  | 1.805~1.880     | Full            | 0.25              | 23             | 1.20 |

Case Type: Drop-In  
 Operating Temperature: -40~+70°C  
 Forward Power: 10/30/60W (CW)  
 Higher power unit available upon request.

