

5W Coaxial Fixed Attenuator DC-40GHz



Features

- Low VSWR
- High Power
- Optimized for Pulsed Applications

Typical Applications

- Microwave Signal Attenuation.
- Test and Measurement.
- Wireless Infrastructure.

Electrical Specifications, 25°C

Part Number	Frequency Range	Attenuation (dB)	Attenuation Accuracy (dB)	VSWR	IM3	Power (CW)	Peak Power(KW)
RFS5G40C	DC-40GHz	40	-1.0/+2.0	1.4	-100dBc 3dB back off 1MHz step	5	0.2 (5µs pulse , 0.5% duty cycle)

Mechanical Specifications

Weight	40g
Coaxial Connector	2.92mm (Male, Female)
Size	Ø38×47.6mm
External Body Finish	Body painted with Gray / Black epoxy enamel

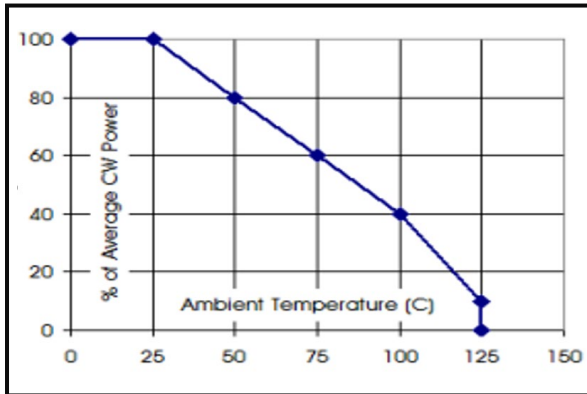
5W Coaxial Fixed Attenuator DC-40GHz

Environmental Specifications and Test Standards

Parameter	Standard	Description
Operational Temperature	MIL-STD-39016	-40°C~+85°C
Storage Temperature		-55°C~+125°C
Thermal Shock		1 Hour@ -40°C → 1 Hour @ +85°C (5 Cycles)
Random Vibration		Acceleration Spectral Density 6 (m/s) Total 92.6 RMS
Electrical & Temperature Burn In		Temperature +85°C for 72 Hours
Shock		1. Weight >20g, 50g half sine wave for 11ms, Speed variation 3.44m/s 2. Weight <=20g, 100g Half sine wave for 6ms, Speed variation 3.75m/s 3. Total 18 times (6 directions, 3 repetitions per direction).
Altitude		Standard: 30,000 Ft (Epoxy Sealed Controlled Environment) Optional: Hermetically Sealed (60,000 ft. 1.0 PSI min)
Hermetically Sealed (Optional)	MIL-STD-883	MIL-STD-883 (For Hermetically Sealed Units)

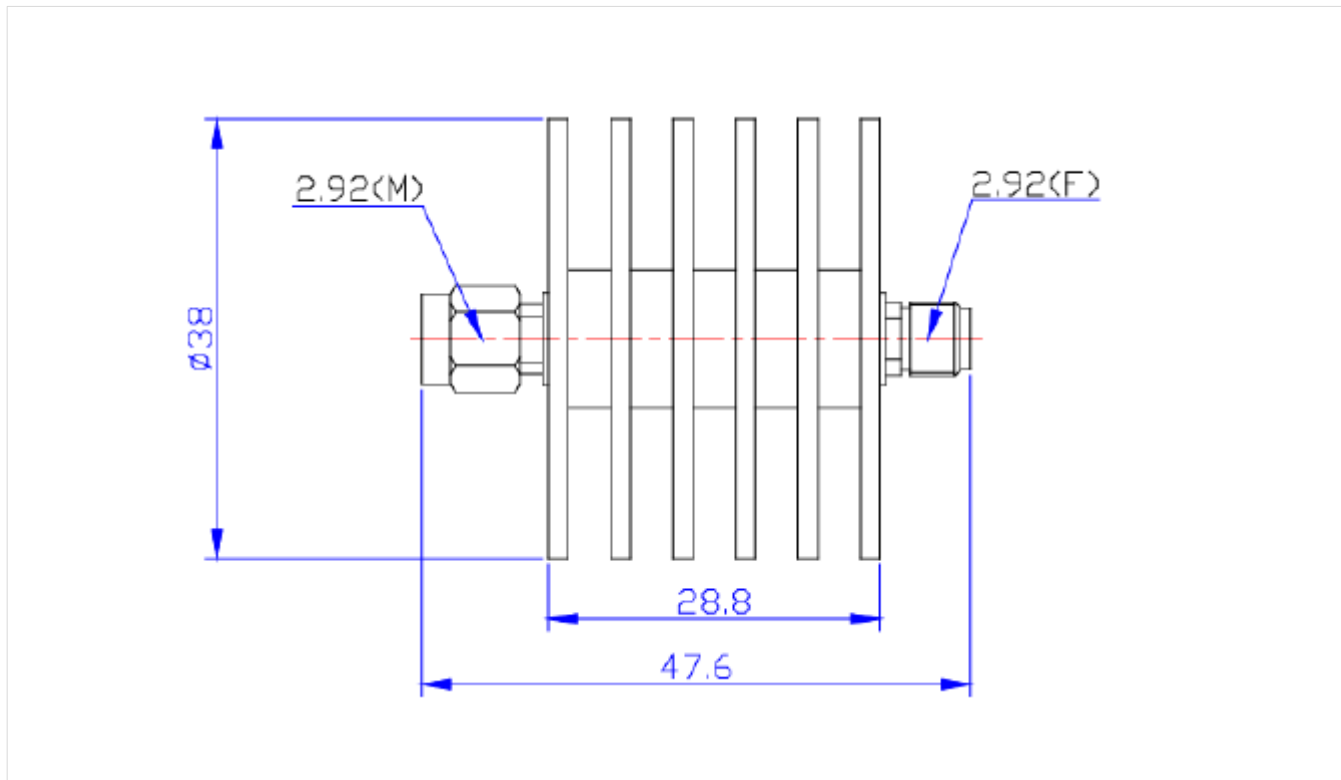
5W Coaxial Fixed Attenuator DC-40GHz

Power Handling vs. Temperature Derating



Outline Drawing:

All Dimensions in mm [inches]



5W Coaxial Fixed Attenuator DC-40GHz

Important Notice

The information contained herein is believed to be reliable. RF-Lambda makes no warranties regarding the information contained herein. RF-Lambda assumes no responsibility or liability whatsoever for any of the information contained herein. RF-Lambda assumes no responsibility or liability whatsoever for the use of the information contained herein. The information contained herein is provided "AS IS, WHERE IS" and with all faults, and the entire risk associated with such information is entirely with the user. All information contained herein is subject to change without notice. Customers should obtain and verify the latest relevant information before placing orders for RF-Lambda products. The information contained herein or any use of such information does not grant, explicitly or implicitly, to any party any patent rights, licenses, or any other intellectual property rights, whether with regard to such information itself or anything described by such information. RF-Lambda products are not warranted or authorized for use as critical components in medical, life-saving, or life sustaining applications, or other applications where a failure would reasonably be expected to cause severe personal injury or death.