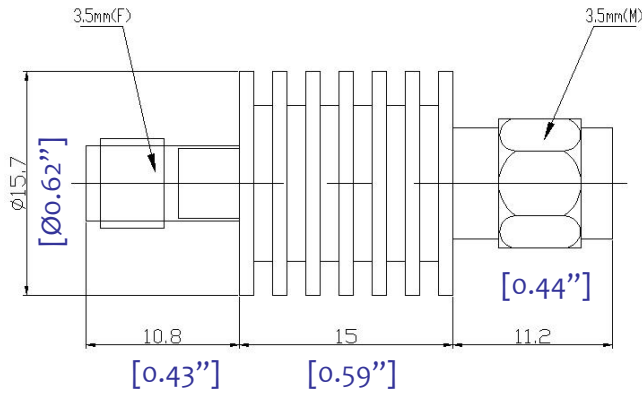
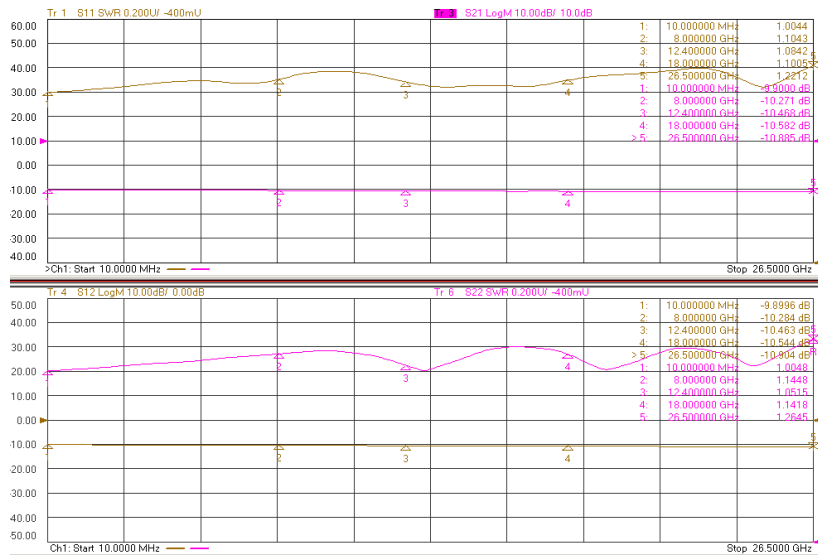


5W COAXIAL FIXED ATTENUATOR DC-26.5GHz

--- RFS5G26A



1.0 Mechanical Specifications		
1.1	Coaxial Connector	3.5mm
1.2	Size	Ø15.7 × 37mm
1.3	Weight	10g
1.4	External Body Finish	Body painted with gray/black epoxy enamel

2.0 Environment specifications		
2.1	Operation Temp.	-40°C~+85°C
2.2	Storage Temp.	-55°C~+125°C
2.3	Altitude	42000 ft
2.4	Vibration	10g rms (15 degree 2KHz)
2.5	Humidity	100% RH at 35c, 95%RH at 40 deg c
2.6	Shock	20G for 11msc
2.7	Cooling	FAN required for long time operation

3.0 Electrical Specifications

PN	Frequency (GHz)	VSWR (max.)	Attenuation Accuracy (dB)				Power (CW)	Peak Power (KW)
			3~9	10	20	30		
RFS5G26A	DC-26.5GHz	1.25	±1.0	±1.0	±1.0	±1.0	5	0.5(5us 0.4%)

PAGE 1 OF 1	DATE MAY 6 th 2000
<small>PROPRIETARY INFORMATION THE INFORMATION CONTAINED IN THIS DOCUMENT IS THE PROPERTY OF RF-LAMBDA EXCEPT AS SPECIFICALLY AUTHORIZED IN WRITING BY RF-LAMBDA. THE HOLDER OF THIS DOCUMENT SHALL KEEP ALL INFORMATION CONTAINED HEREIN CONFIDENTIAL AND SHALL PROTECT SAME IN THE WHOLE OR IN PART FROM DISCLOSURE AND DISSEMINATION OF ALL THIRD PARTIES AND SHALL USE SAME FOR OPERATING AND MAINTENANCE PURPOSES ONLY</small>	
DESIGN RFPC	RF-LAMBDA RFPC
CAD MODEL REVISION 10	ASSEMBLY REVISION VS52
ASSEMBLY NAME RFLVR07	
DRAWING NUMBER D05-A	
www.rflambda.com	
RF-LAMBDA	SIZE LT SHEETS 1 OF 1