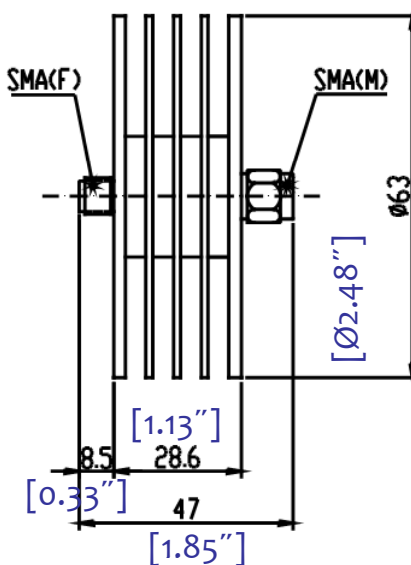


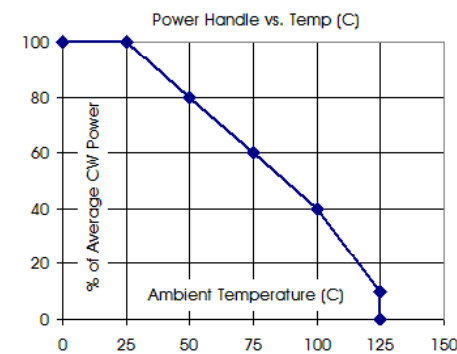
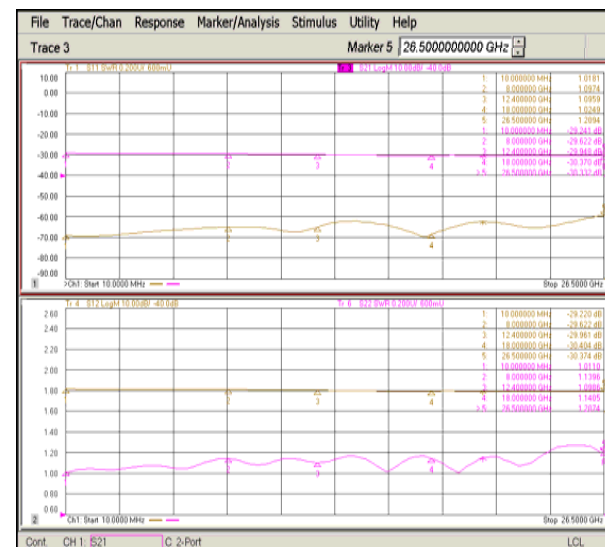
50W COAXIAL FIXED ATTENUATOR DC-26.5GHz. ---RFS50G26C


1.0	Mechanical Specifications	
1.1	Coaxial Connector	3.5mm
1.2	Size	Φ63 × 74mm Φ0.65" × 1.85"
1.3	Weight	200g
1.4	External Body Finish	Body painted with gray/black epoxy enamel



2.0	Environment specifications	
2.1	Operation Temp.	-40°C~+85°C
2.2	Storage Temp.	-55°C~+125°C
2.3	Altitude	42000 ft
2.4	Vibration	10g rms (15 degree 2KHz)
2.5	Humidity	100% RH at 35c, 95%RH at 40 deg c
2.6	Shock	20G for 11msc
2.7	Cooling	FAN required for long time operation

3.0	Electrical Specifications					
PN	Frequency (GHz)	Attenuation Accuracy (dB)	VSWR (max.)	IM3	Average Power (W)	Peak Power (KW)
		40				
RFS50G26C	DC-26.5	± 1.0	1.30	-100dBc 3dB back off 1MHz step	50W	0.5KW 5us 0.5%



PAGE 1 OF 1		DATE JUN 12 th 2009
<small>PROPRIETARY INFORMATION THE INFORMATION CONTAINED IN THIS DOCUMENT IS THE PROPERTY OF RF-LAMBDA EXCEPT AS SPECIFICALLY AUTHORIZED IN WRITINGS BY RF-LAMBDA. THE HOLDER OF THIS DOCUMENT SHALL KEEP ALL INFORMATION CONTAINED HEREIN CONFIDENTIAL AND SHALL PROTECT SAME IN THE WHOLE OR IN PART FROM DISCLOSURE AND DISSEMINATION OF ALL THIRD PARTIES AND SHALL USE SAME FOR OPERATING AND MAINTENANCE PURPOSES ONLY</small>		DESIGN
		RFPC
 RFS50G26C ATTENUATOR		RF-LAMBDA
		RFPC
www.rflambda.com		CAD MODEL REVISION
		10
RF-LAMBDA		ASSEMBLY REVISION
		V552
SIZE LT		ASSEMBLY NAME
		RFLVR07
SHEETS		DRAWING NUMBER
		D05-A
1 OF 1		