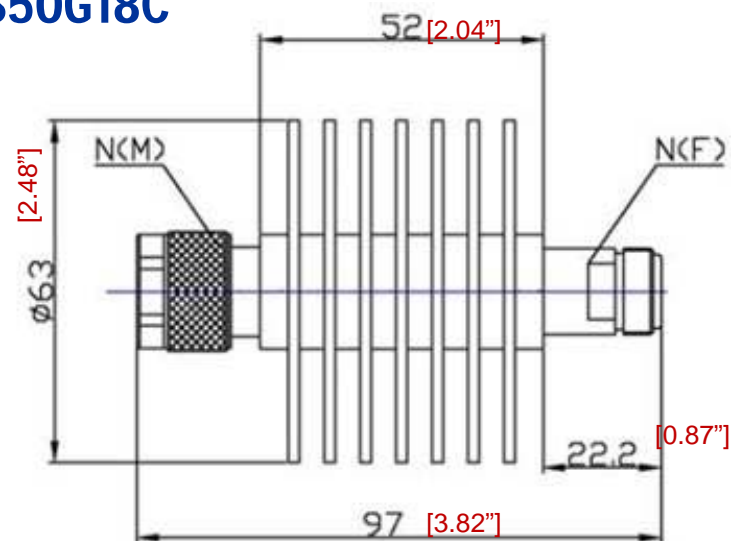



50W DC-18GHZ COAXIAL FIXED ATTENUATOR --- RFS50G18C



1.0 Environment specifications		
2.1	Operation Temp.	-40°C~+85°C
2.2	Storage Temp.	-55°C~+125°C
2.3	Altitude	42000 ft
2.4	Vibration	10g rms (15 degree 2KHz)
2.5	Humidity	100% RH at 35c, 95%RH at 40 deg c
2.6	Shock	20G for 11msc
2.7	Cooling	FAN required for long time operation

2.0 Mechanical Specifications		
1.1	Connector Type	N
1.2	Size	Ø2.48"X 3.82"
1.3	Weight	230g
1.4	External Finish	Body painted lack epoxy enamel
1.5	Connectors	Brass Nickel Plated
1.6	Male Pin	Brass Gold Plated
1.7	Female Pin	Beryllium Copper Gold Plated
1.8	Housing	Aluminum, Black Anodize

3.0 Electrical Specifications								
PN	Frequency (GHz)	VSWR (max.)	Attenuation Accuracy (dB)				Power (CW)	Peak Power (KW)
			10	20	30	40		
RFS50G18C	DC-18GHz	1.30	±1.0	±1.0	±1.0	±1.0	50	1

PAGE 1 OF 1		DATE	MAY 6 th 2000
<small>PROPRIETARY INFORMATION THE INFORMATION CONTAINED IN THIS DOCUMENT IS THE PROPERTY OF RF-LAMBDA EXCEPT AS SPECIFICALLY AUTHORIZED IN WRITINGS BY RF-LAMBDA. THE HOLDER OF THIS DOCUMENT SHALL KEEP ALL INFORMATION CONTAINED HEREIN CONFIDENTIAL AND SHALL PROTECT SAME IN THE WHOLE OR IN PART FROM DISCLOSURE AND DISSEMINATION OF ALL THIRD PARTIES AND SHALL USE SAME FOR OPERATING AND MAINTENANCE PURPOSES ONLY</small>		DESIGN	RFPC
		RF-LAMBDA	RFPC
 RFS50G18C COAXIAL FIXED ATTENUATOR		CAD MODEL REVISION	10
		ASSEMBLY REVISION	VS52
		ASSEMBLY NAME	RFLVR07
www.rflambda.com		DRAWING NUMBER	D05-A
RF-LAMBDA	SIZE LT	SHEETS 1 OF 1	