

## 300W High Power Fixed Attenuator DC-6GHz



**Features**

- Low VSWR
- High Power

**Typical Applications**

- Microwave Signal Attenuation.
- Test and Measurement.
- Research and Development.

Part Number	Frequency Range	Attenuation (dB)	Attenuation Accuracy (dB)	VSWR	Power (CW)	Peak Power(KW)
RFS300G6B	DC-6GHz	30	± 0.75	1.30	300	5
		40	± 0.75			

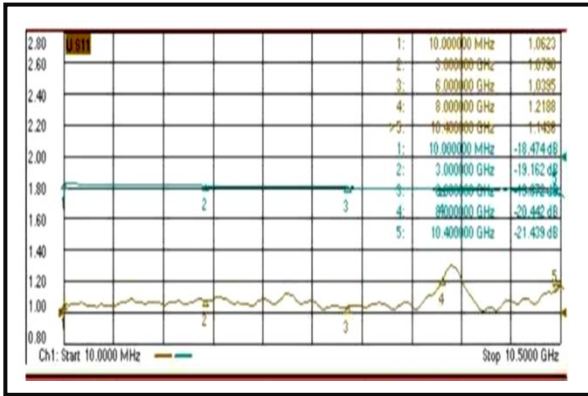
Weight	123.46 Ounces
Coaxial Connector	N (Male or Female)
Size	295X130X75mm 11.61" X 5.12" X 2.953"
External Body Finish	Body painted with Gray / Black epoxy enamel

**Environmental Specifications and Test Standards**

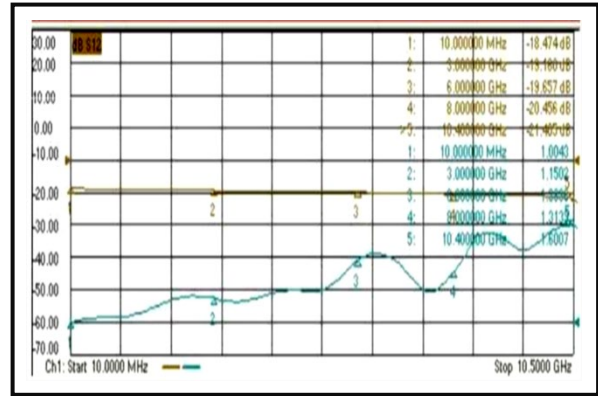
Parameter	Description
Operational Temperature	-40°C~+85°C (Case Temperature)
Storage Temperature	-55°C~+125°C
Thermal Shock	-40°C → +85°C (5 Cycles / 10 hours)
Random Vibration	MIL-STD-202G Table 214-I, Test Condition Letter C 1.5 Hours Per Axis
High Temperature Burn In	Temperature +85°C for 72 Hours
Shock	1. Weight >20g, 50g half sine wave for 11ms, Speed variation 3.44m/s 2. Weight <=20g, 100g Half sine wave for 6ms, Speed variation 3.75m/s 3. Total 18 times (6 directions, 3 repetitions per direction).
Altitude	Standard: 30,000 Ft (Epoxy Sealed Controlled Environment) Optional: Hermetically Sealed (60,000 ft. 1.0 PSI min)
Hermetically Sealed (Optional)	MIL-STD-883 (For Hermetically Sealed Units)

**300W High Power Fixed Attenuator DC-6GHz**

**S11**

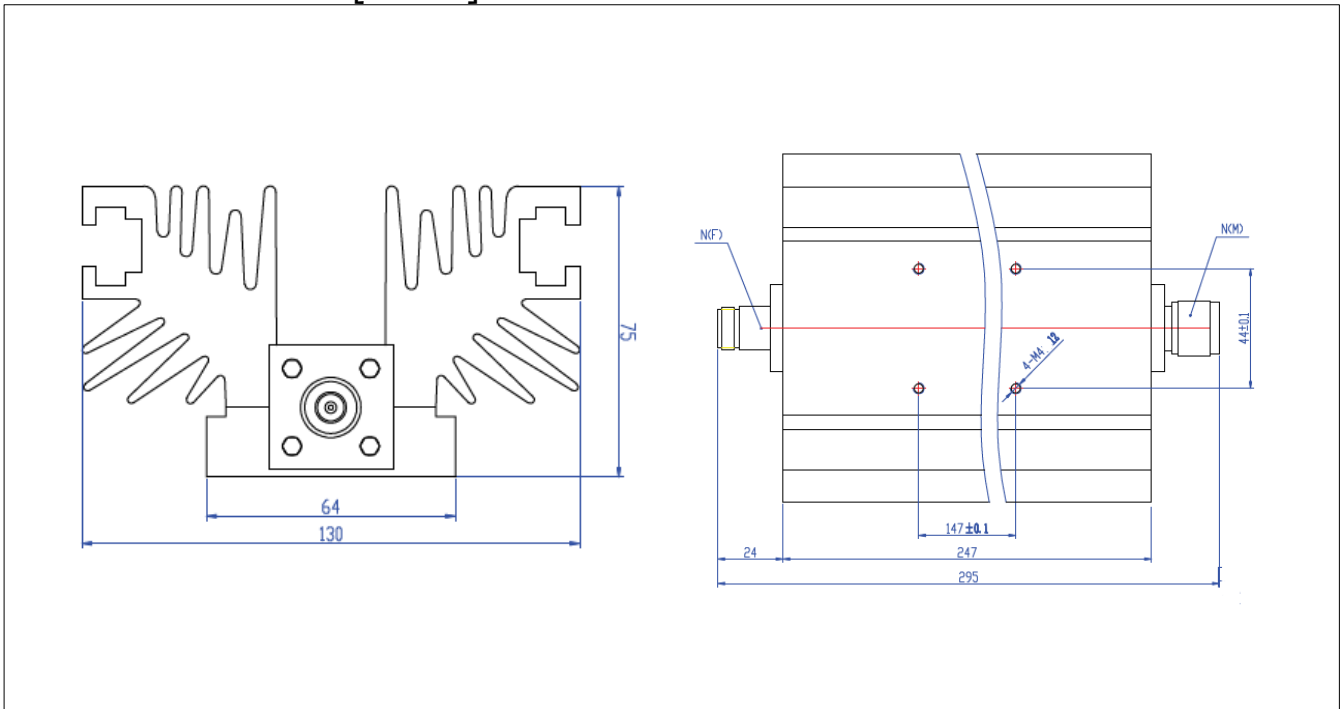


**S22**



**Outline Drawing:**

All Dimensions in mm [inches]



**Important Notice**

The information contained herein is believed to be reliable. RF-Lambda makes no warranties regarding the information contained herein. RF-Lambda assumes no responsibility or liability whatsoever for any of the information contained herein. RF-Lambda assumes no responsibility or liability whatsoever for the use of the information contained herein. The information contained herein is provided "AS IS, WHERE IS" and with all faults, and the entire risk associated with such information is entirely with the user. All information contained herein is subject to change without notice. Customers should obtain and verify the latest relevant information before placing orders for RF-Lambda products. The information contained herein or any use of such information does not grant, explicitly or implicitly, to any party any patent rights, licenses, or any other intellectual property rights, whether with regard to such information itself or anything described by such information. RF-Lambda products are not warranted or authorized for use as critical components in medical, life-saving, or life sustaining applications, or other applications where a failure would reasonably be expected to cause severe personal injury or death.