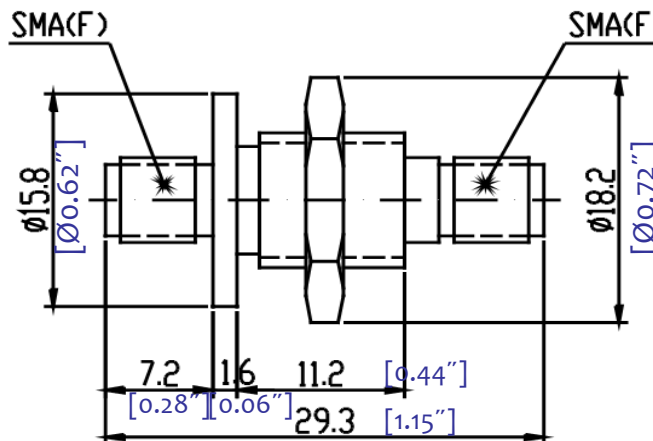
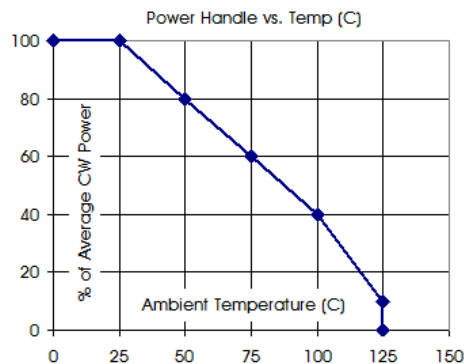



# 2W COAXIAL FIXED ATTENUATOR DC-26.5GHz. --- RFS2G26C

1.0	Mechanical Specifications	
1.1	Coaxial Connector	SMA(M,F)
1.2	Size	$\Phi 18.2 \times 29.3\text{mm}$ $\Phi 0.72" \times 1.15"$
1.3	Weight	12g
1.4	External Body Finish	Body painted with gray/black epoxy enamel

2.0	Environment specifications	
2.1	Operation Temp.	-40°C~+85°C
2.2	Storage Temp.	-55°C~+125°C
2.3	Altitude	42000 ft
2.4	Vibration	10g rms (15 degree 2KHz)
2.5	Humidity	100% RH at 35c, 95%RH at 40 deg c
2.6	Shock	20G for 11msc
2.7	Cooling	FAN required for long time operation

3.0	Electrical Specifications								
PN	Frequency (GHz)	Attenuation Accuracy (dB)				VSWR (max.)	IM3	Average Power (W)	Peak Power (KW)
		1-9	10	20	30				
RFS2G26C	DC-26.5	-0.3/+0.8	-0.4/+0.8	-0.4/+1.0	-0.4/+1.0	1.35	-100dBc 3dB back off 1MHz step	2W	0.5KW 5us 0.5%



PAGE 1 OF 1	DATE JUN 12 <sup>th</sup> 2009
PROPRIETARY INFORMATION THE INFORMATION CONTAINED IN THIS DOCUMENT IS THE PROPERTY OF RF-LAMBDA EXCEPT AS SPECIFICALLY AUTHORIZED IN WRITING BY RF-LAMBDA. THE HOLDER OF THIS DOCUMENT SHALL KEEP ALL INFORMATION CONTAINED HEREIN CONFIDENTIAL AND SHALL PROTECT SAME IN THE WHOLE OR IN PART FROM DISCLOSURE AND DISSEMINATION OF ALL THIRD PARTIES AND SHALL USE SAME FOR OPERATING AND MAINTENANCE PURPOSES ONLY.	DESIGN RFPCC
 RFS2G26C ATTENUATOR	RF-LAMBDA RFPCC
www.rflambda.com	CAD MODEL REVISION 10
RF-LAMBDA	ASSEMBLY REVISION VSS2
SIZE LT	ASSEMBLY NAME RFLVR07
SHEETS 1 OF 1	DRAWING NUMBER D05-A