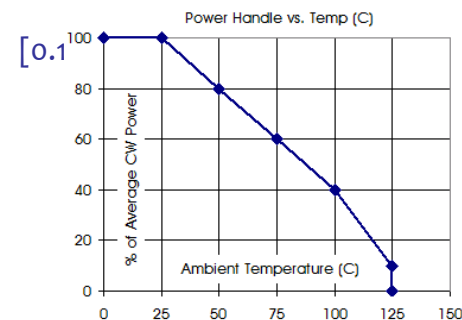
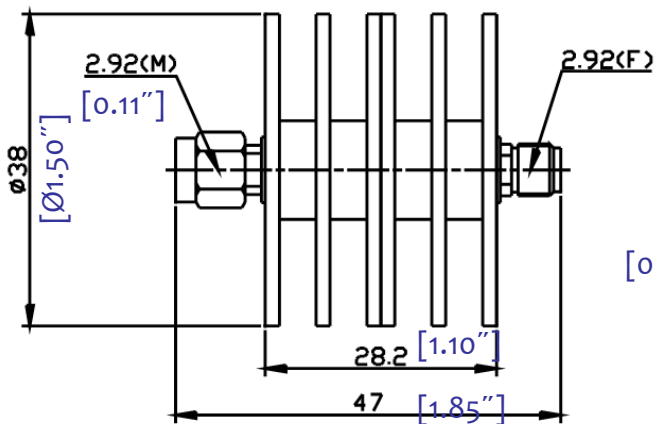



10W COAXIAL FIXED ATTENUATOR DC-40GHz. --- RFS10G40B

1.0	Mechanical Specifications	
1.1	Coaxial Connector	2.92mm
1.2	Size	$\phi 38 \times 47.6$ mm $\phi 1.50" \times 1.85"$
1.3	Weight	60g
1.4	External Body Finish	Body painted with gray/black epoxy enamel

2.0	Environment specifications	
2.1	Operation Temp.	-40°C~+85°C
2.2	Storage Temp.	-55°C~+125°C
2.3	Altitude	42000 ft
2.4	Vibration	10g rms (15 degree 2KHz)
2.5	Humidity	100% RH at 35c, 95%RH at 40 deg c
2.6	Shock	20G for 11msc
2.7	Cooling	FAN required for long time operation



Electrical Specifications						
Frequency (GHz)	Attenuation Accuracy (dB)		VSWR (max.)	IM3	Average Power (W)	Peak Power (KW)
	40					
DC-40	-1.0/+1.5		1.40	-100dBc 3dB back off 1MHz step	10W	0.2KW 5us 0.5%

PAGE 1 OF 1	DATE JUN 12 th 2009
PROPRIETARY INFORMATION THE INFORMATION CONTAINED IN THIS DOCUMENT IS THE PROPERTY OF RF-LAMBDA EXCEPT AS SPECIFICALLY AUTHORIZED IN WRITING BY RF-LAMBDA, THE HOLDER OF THIS DOCUMENT SHALL KEEP ALL INFORMATION CONTAINED HEREIN CONFIDENTIAL AND SHALL PROTECT SAME IN THE WHOLE OR IN PART FROM DISCLOSURE AND DISSEMINATION OF ALL THIRD PARTIES AND SHALL USE SAME FOR OPERATING AND MAINTENANCE PURPOSES ONLY.	DESIGN RFPFC RFLAMBDA RFPFC
 RFS10G40B ATTENUATOR	CAD MODEL REVISION 10
	ASSEMBLY REVISION VSS2
	ASSEMBLY NAME RFLVR07
	DRAWING NUMBER D05-A
www.rflambda.com	
RF-LAMBDA	SIZE LT SHEETS 1 OF 1