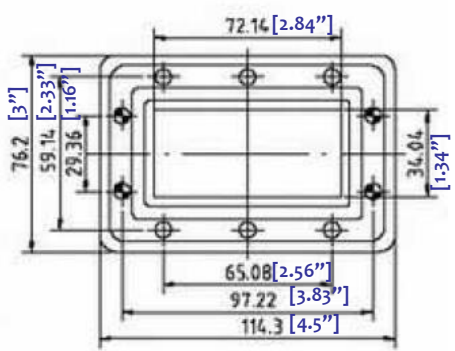
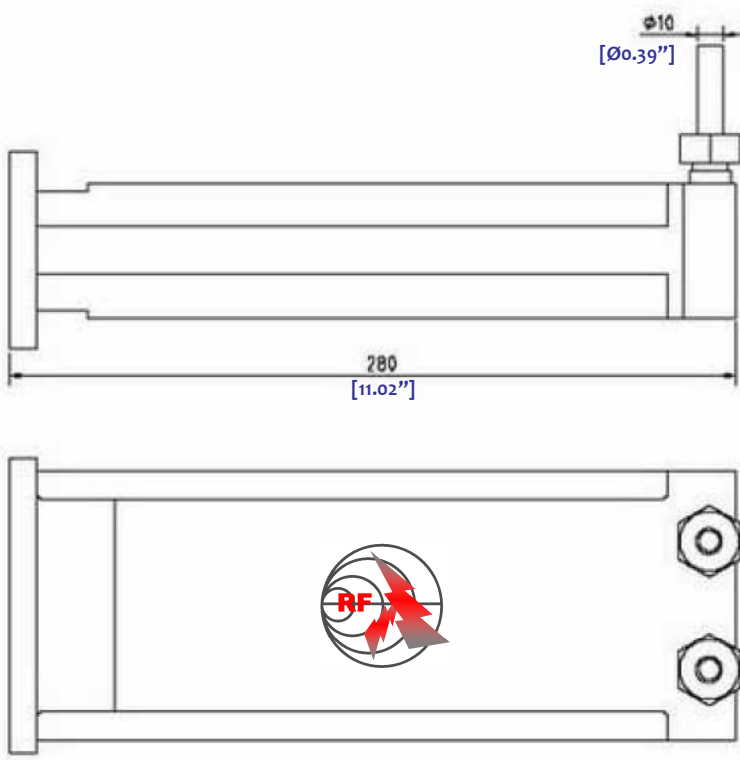


A B C D E F G H J K L M N P Q




5000W CW WR284 HIGH POWER WATER COOLING WAVEGUIDE LOAD --- RFWT284E

1.0 Mechanical Specifications		
1.1	Waveguide	Rectangular WR284
1.2	Flange type	CPRG, CPRF, COVER, CHOKE available
1.3	Flange Holes	Through
1.4	Basis-material	Alloyed Aluminum
1.5	External Finish	Body painted with gray/black epoxy enamel

2.0 Environment specifications		
2.1	Operation Temp.	-10°C~+40°C
2.2	Storage Temp.	-10°C~+50°C
2.3	Altitude	15000 ft
2.4	Vibration	10g rms (15 degree 2KHz)
2.5	Humidity	90% RH at 35c, 95%RH at 40 deg c
2.6	Shock	20G for 11msc

3.0 Electrical Specifications		
3.1	Center Freq. Range	2.6 ~ 3.95 2.988-3.008GHz (as shown)
3.2	Bandwidth	20MHz
3.3	Functional Bandwidth	15% or 1000MHz max.
3.4	Peak Power	5MW
3.5	Power Handle:	5000W (CW)
3.6	Max. VSWR	1.05:1

PAGE 1 OF 1		DATE Jun 17 th 2009
<small>PROPRIETARY INFORMATION THE INFORMATION CONTAINED IN THIS DOCUMENT IS THE PROPERTY OF RF-LAMBDA EXCEPT AS SPECIFICALLY AUTHORIZED IN WRITING BY RF-LAMBDA. THE HOLDER OF THIS DOCUMENT SHALL KEEP ALL INFORMATION CONTAINED HEREIN CONFIDENTIAL AND SHALL PROTECT SAME IN THE WHOLE OR IN PART FROM DISCLOSURE AND DISSEMINATION OF ALL THIRD PARTIES AND SHALL USE SAME FOR OPERATING AND MAINTENANCE PURPOSES ONLY</small>		DESIGN RFPC
		RF-LAMBDA RFPC
		CAD MODEL REVISION 02
		ASSEMBLY REVISION VS2
 RFWT284E WAVEGUIDE HIGH POWER LOAD		ASSEMBLY NAME RFLVR42
www.rflambda.com		DRAWING NUMBER D02-3
RF-LAMBDA		SIZE LT SHEETS 1 OF 1

A B C D E F G H J K L M N P Q