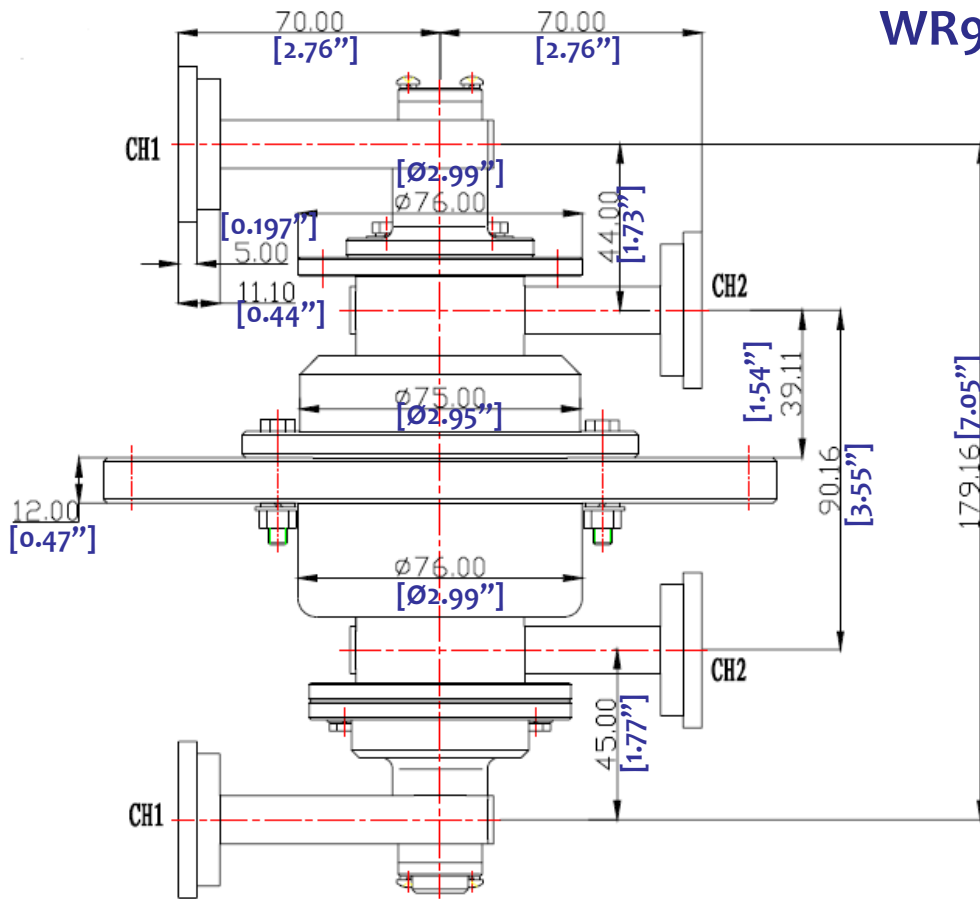


# WR90 WAVEGUIDE "U" SHAPE DUAL CHANNEL ROTARY JOINT --- RFLWRJ90DU




1.0 Mechanical Specifications		
1.1	Waveguide type	Rectangular Waveguide WR90
1.2	Flange type	Square Cover
1.3	Flange Holes	Through
1.4	Basis-material	Cuprum
1.5	Internal Finish	Sliver Plating
1.6	External Finish	Anticorrosion gray paint

2.0 Environment specifications		
2.1	Operation Temp.	-40°C~+50°C
2.2	Storage Temp.	-50°C~+125°C
2.3	Altitude	45000 ft
2.4	Vibration	10g rms (15 degree 2KHz)
2.5	Humidity	100% RH at 35c, 95%RH at 40 deg c
2.6	Shock	20G for 11msc



3.0 Electrical Specifications		
3.1	Frequency Range	8.2-12.4GHz (BW<=300MHz) (9.22-9.26GHz as shown)
3.2	Max. Insertion Loss / IL WOW	0.6dB /0.1(CH1&CH2) 1.5dB/0.1(CH3)
3.3	Max. VSWR / VSWR WOW	1.20:1 /0.1
3.4	Power (average / Peak)	150W(CW) /75KW
3.5	Min. Isolator(Between two channels)	40dB

PAGE 1 OF 1		DATE Jun 21 <sup>st</sup> 2006
<small>PROPRIETARY INFORMATION THE INFORMATION CONTAINED IN THIS DOCUMENT IS THE PROPERTY OF RF-LAMBDA EXCEPT AS SPECIFICALLY AUTHORIZED IN WRITINGS BY RF-LAMBDA. THE HOLDER OF THIS DOCUMENT SHALL KEEP ALL INFORMATION CONTAINED HEREIN CONFIDENTIAL AND SHALL PROTECT SAME IN THE WHOLE OR IN PART FROM DISCLOSURE AND DISSEMINATION OF ALL THIRD PARTIES AND SHALL USE SAME FOR OPERATING AND MAINTENANCE PURPOSES ONLY</small>		DESIGN RFLPC
		RF-LAMBDA RFLPC
 <b>RFLWRJ90DU WAVEGUIDE ROTARY JOINT</b>		CAD MODEL REVISION 11
		ASSEMBLY REVISION VS5DS
<a href="http://www.rflambda.com">www.rflambda.com</a>		ASSEMBLY NAME RFLVR05
		DRAWING NUMBER D05-1
<b>RF-LAMBDA</b>	SIZE LT	SHEETS 1 OF 1