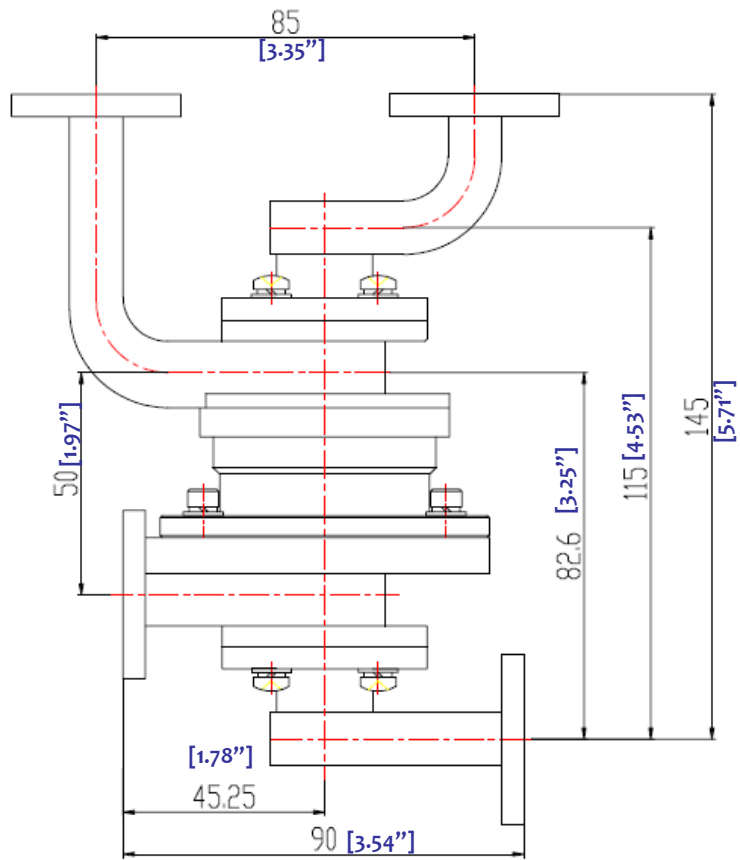


WR75 WAVEGUIDE "L" SHAPE DUAL CHANNEL ROTARY JOINT --- RFWRJ75DLC




| 1.0 Mechanical Specifications | | |
|-------------------------------|-----------------|--------------------------------|
| 1.1 | Waveguide type | Rectangular Waveguide WR75 |
| 1.2 | Flange type | Square Cover |
| 1.3 | Flange Holes | Through |
| 1.4 | Basis-material | Copper |
| 1.5 | Internal Finish | Sliver Plating |
| 1.6 | External Finish | Anticorrosion gray/black paint |

| 2.0 Environment specifications | | |
|--------------------------------|-----------------|-----------------------------------|
| 2.1 | Operation Temp. | -30°C~+70°C |
| 2.2 | Storage Temp. | -50°C~+125°C |
| 2.3 | Altitude | 45000 ft |
| 2.4 | Vibration | 10g rms (15 degree 2KHz) |
| 2.5 | Humidity | 100% RH at 35c, 95%RH at 40 deg c |
| 2.6 | Shock | 20G for 11msc |



| 3.0 Electrical Specifications | | |
|-------------------------------|-------------------------------------|--|
| 3.1 | Frequency Range | 13.75-14.5GHz(CH1) 10.95~12.7GHz(CH2) |
| 3.2 | Max. Insertion Loss | 0.3dB |
| 3.3 | Max. VSWR / VSWR WOW | 1.5:1 /0.05 |
| 3.4 | Min. Isolator(Between two channels) | 40dB |
| 3.5 | Power Handling | 350W(CW) |

| | | |
|---|--|--------------------------------|
| PAGE 1 OF 1 | | DATE Jun 21 st 2006 |
| <small>PROPRIETARY INFORMATION THE INFORMATION CONTAINED IN THIS DOCUMENT IS THE PROPERTY OF RF-LAMBDA EXCEPT AS SPECIFICALLY AUTHORIZED IN WRITING BY RF-LAMBDA. THE HOLDER OF THIS DOCUMENT SHALL KEEP ALL INFORMATION CONTAINED HEREIN CONFIDENTIAL AND SHALL PROTECT SAME IN THE WHOLE OR IN PART FROM DISCLOSURE AND DISSEMINATION OF ALL THIRD PARTIES AND SHALL USE SAME FOR OPERATING AND MAINTENANCE PURPOSES ONLY</small> | | DESIGN RFPC |
| | | RF-LAMBDA RFPC |
| | | CAD MODEL REVISION 11 |
| | | ASSEMBLY REVISION V55D5 |
|  RFWRJ75DLC WAVEGUIDE ROTARY JOINT | | ASSEMBLY NAME RFLVR05 |
| | | DRAWING NUMBER D05-1 |
| www.rflambda.com | | SIZE LT |
| RF-LAMBDA | | SHEETS 1 OF 1 |