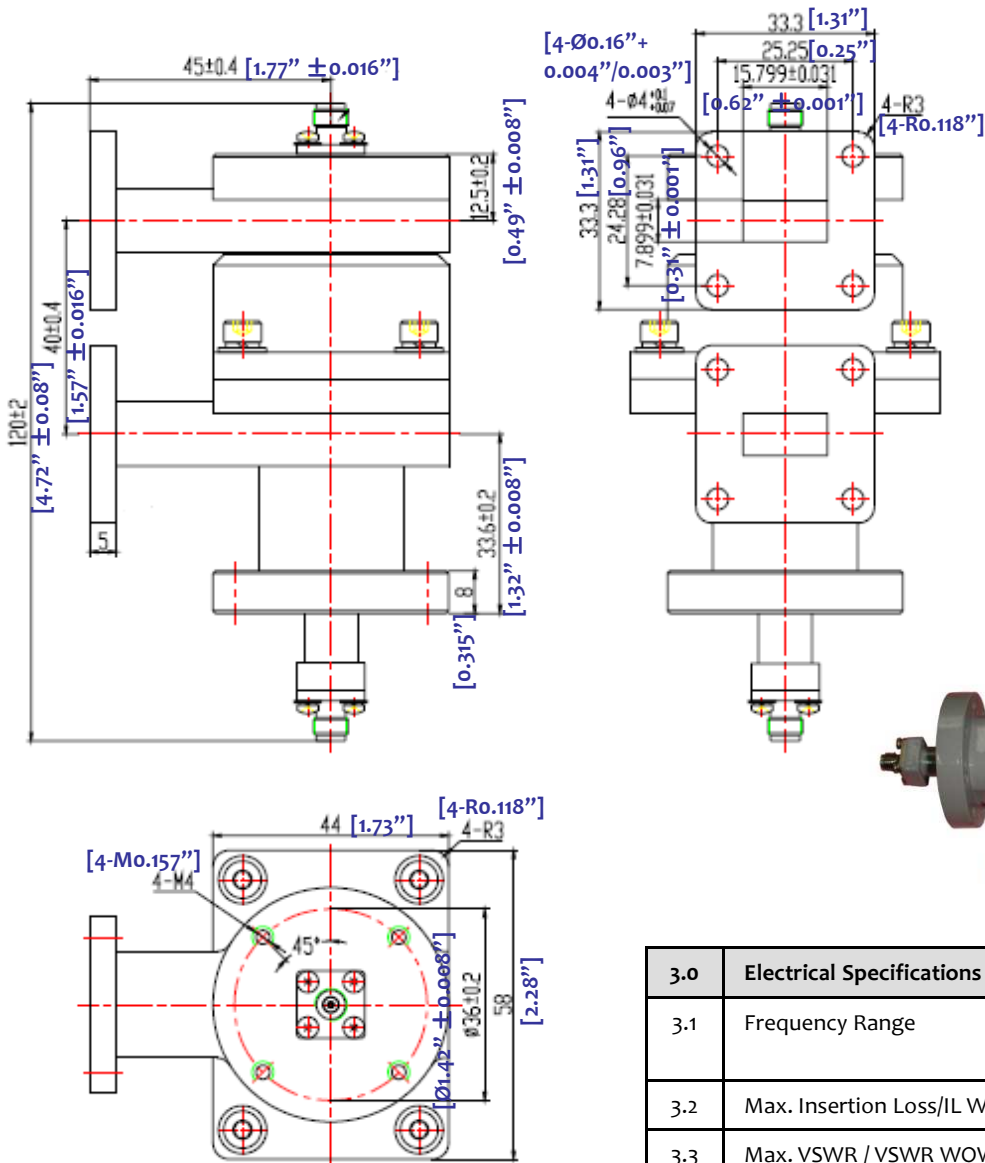



WR62 WAVEGUIDE "L" STYLE DUAL CHANNEL ROTARY JOINT --- RFWRJ62DL



1.0	Mechanical Specifications	
1.1	Waveguide type	Rectangular Waveguide WR62
1.2	Flange type	Square Cover
1.3	Flange Holes	Through
1.4	Basis-material	Aluminum
1.5	Internal Finish	Chromate conversion
1.6	External Finish	Anticorrosion gray paint

2.0	Environment specifications	
2.1	Operation Temp.	-40°C~+55°C
2.2	Storage Temp.	-50°C~+125°C
2.3	Altitude	45000 ft
2.4	Vibration	10g rms (15 degree 2KHz)
2.5	Humidity	100% RH at 35c, 95%RH at 40 deg c
2.6	Shock	20G for 11msc

3.0	Electrical Specifications	
3.1	Frequency Range	12.4-18GHz (BW<=700MHz) 15.55-16.25GHz(As shown)
3.2	Max. Insertion Loss/IL WOW	0.5dB/0.1(CH1) 0.2dB/0.05
3.3	Max. VSWR / VSWR WOW	1.3:1 /0.1(CH1) 1.25:1/0.05(CH2)
3.4	Min. Isolator (Between two channels)	60dB
3.5	Power Handling	200W(CW) / 4KW Peak

PAGE 1 OF 1		DATE	Jun 21 st 2006
PROPRIETARY INFORMATION THE INFORMATION CONTAINED IN THIS DOCUMENT IS THE PROPERTY OF RF-LAMBDA EXCEPT AS SPECIFICALLY AUTHORIZED IN WRITING BY RF-LAMBDA. THE HOLDER OF THIS DOCUMENT SHALL KEEP ALL INFORMATION CONTAINED HEREIN CONFIDENTIAL AND SHALL PROTECT SAME IN THE WHOLE OR IN PART FROM DISCLOSURE AND DISSEMINATION OF ALL THIRD PARTIES AND SHALL USE SAME FOR OPERATING AND MAINTENANCE PURPOSES ONLY.		DESIGN	RFPC
		RF-LAMBDA	RFPC
		CAD MODEL REVISION	11
		ASSEMBLY REVISION	V55D5
 RFWRJ62DL WAVEGUIDE ROTARY JOINT		ASSEMBLY NAME	RFLVR05
		DRAWING NUMBER	D05-1
www.rflambda.com		SIZE	SHEETS
RF-LAMBDA		LT	1 OF 1