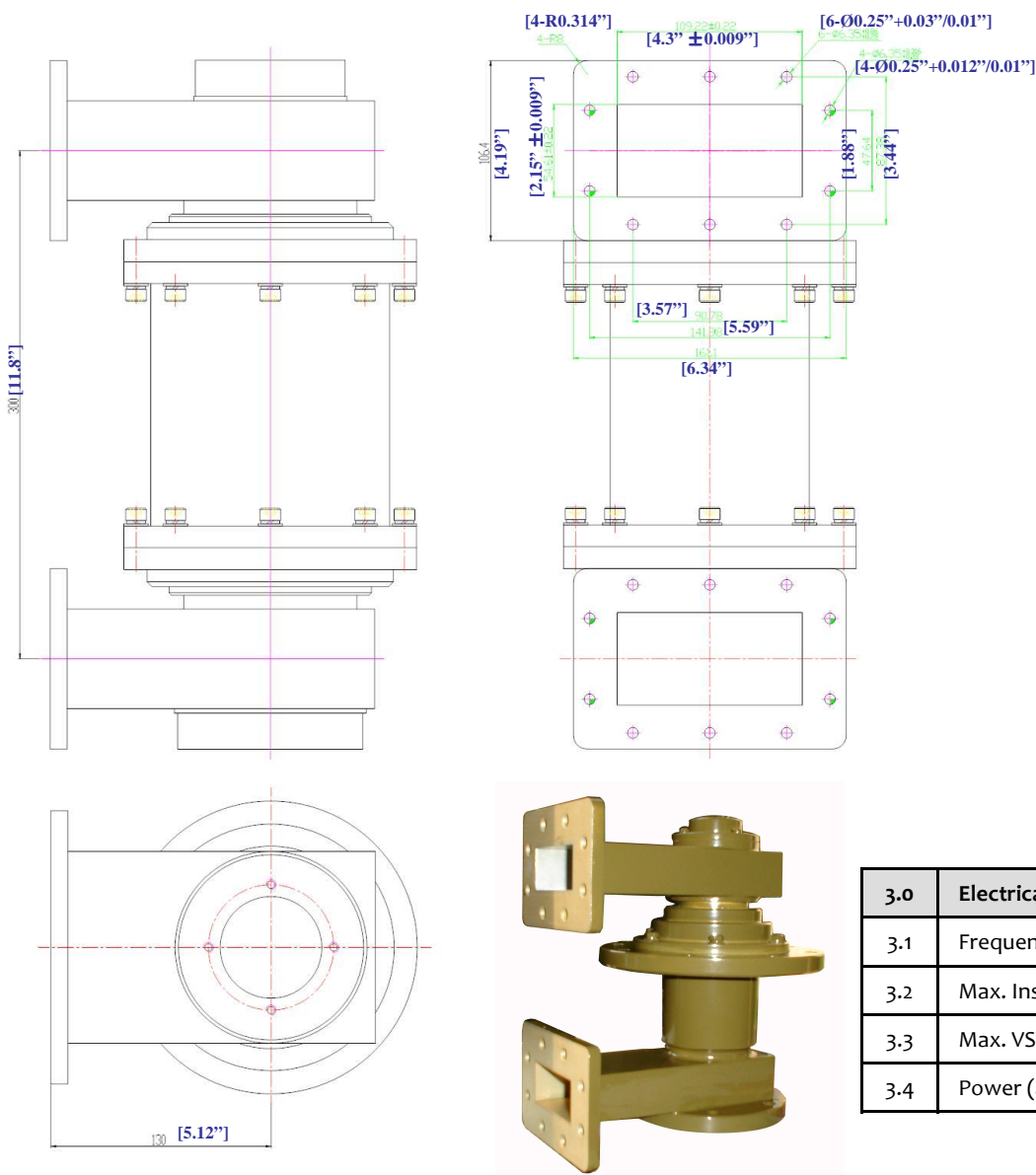


# WR430 WAVEGUIDE "U" SHAPE SINGLE CHANNEL ROTARY JOINT

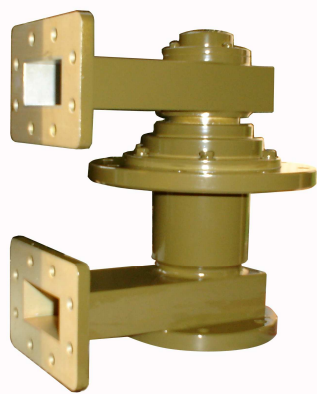
---RFWRJ430SU




1.0	Mechanical Specifications	
1.1	Waveguide type	Rectangular Waveguide <b>WR9430</b>
1.2	Flange type	Square Cover
1.3	Flange Holes	Through
1.4	Basis-material	Alloyed Copper
1.5	Internal Finish	Sliver Plating
1.6	External Finish	Corrosion protected with black paint

2.0	Environment specifications	
2.1	Operation Temp.	-40°C~+70°C
2.2	Storage Temp.	-50°C~+125°C
2.3	Altitude	45000 ft
2.4	Vibration	10g rms (15 degree 2KHz)
2.5	Humidity	100% RH at 35c, 95%RH at 40 deg c
2.6	Shock	20G for 11msc

3.0	Electrical Specifications	
3.1	Frequency Range	2.1- 2.2GHz (BW 600MHz)
3.2	Max. Insertion Loss / IL WOW	0.25dB /0.1dB
3.3	Max. VSWR / VSWR WOW	1.20:1 /0.08
3.4	Power (average / Peak)	2200W(CW) /1.1MW



PAGE 1 OF 1	DATE Jun 21 <sup>st</sup> 2006
<small>PROPRIETARY INFORMATION THE INFORMATION CONTAINED IN THIS DOCUMENT IS THE PROPERTY OF RF-LAMBDA EXCEPT AS SPECIFICALLY AUTHORIZED IN WRJTBG BY RF-LAMBDA. THE HOLDER OF THIS DOCUMENT SHALL KEEP ALL INFORMATION CONTAINED HEREIN CONFIDENTIAL AND SHALL PROTECT SAME IN THE WHOLE OR IN PART FROM DISCLOSURE AND DISSEMINATION OF ALL THIRD PARTIES AND SHALL USE SAME FOR OPERATING AND MAINTENANCE PURPOSES ONLY</small>	DESIGN RFPC
	RF-LAMBDA RFPC
	CAD MODEL REVISION 11
	ASSEMBLY REVISION V55D5
 <b>RFWRJ430SU</b> <b>WAVEGUIDE</b> <b>ROTARY JOINT</b>	ASSEMBLY NAME RFLVR05
	DRAWING NUMBER D05-1
www.rflambda.com	
<b>RF-LAMBDA</b>	SIZE LT SHEETS 1 OF 1