



RF-LAMBDA

The power beyond expectations

C-BAND WR229 WR159 WR137 60dB HIGH GAIN LOW NOISE POWER AMPLIFIERS



High Gain up to 60dB
 Applicable for base station, repeaters of cellular network
 LMDS multi-carrier operation
 Aerospace and military applications
 High Peak to average handle capability
 High Linearity and low noise figure
 All specifications can be modified upon request

C-BAND WR229 WR159 WR137 60dB HIGH GAIN LOW NOISE POWER AMPLIFIERS

Electrical Specifications			
Parameter	Notes	Type/ Max	Units
Gain		60,20,50(optional)	dB
Gain Fletness	Per 1000MHz Per 500MHz Per40MHz	±0.75 ±0.5 ±0.25	dB
VSWR	Input Output	1.25 / 1.3 1.5/2	
Power Output	at 1dB compression	≥+10,+20(optional)	dBm
Group Delay (per 40MHz)	Linear Parabolic Ripple	0.02 0.003 0.2	dBc nS/MHz nS/(MHz×MHz)
Gain Stability	60minutes 24 hours One week	±0.1 ±0.2 ±0.5	dB/hour dB/day dB/week
Interface & Frequency	WR229 WR159 WR137	(3.30-4.90GHz) (4.90-7.05GHz) (7.05-10.0GHz)	
Power Supply	Voltage Current	12-21 150	V mA
Operating Temperature	Ambient air temperature	-40~+60	°C

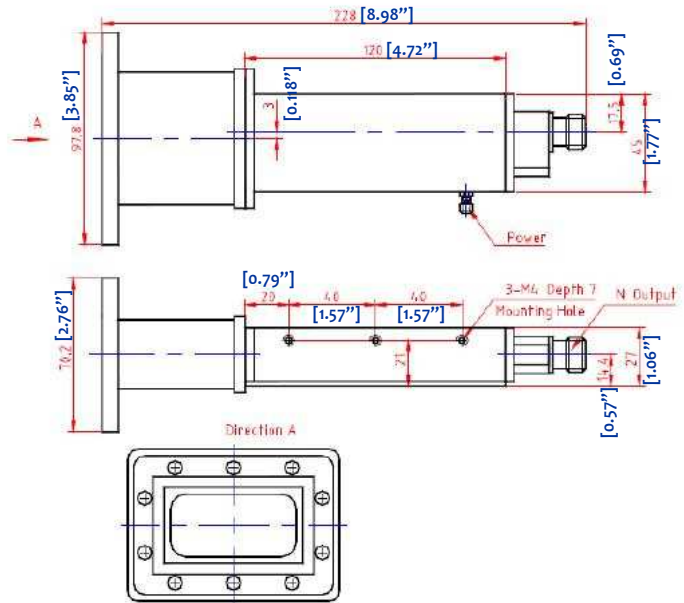
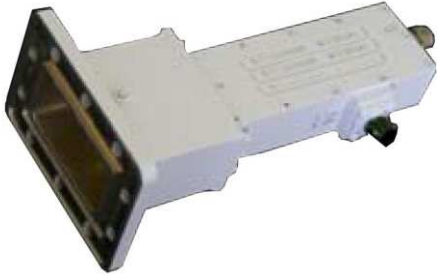
PN: RLNA **WXXX** **GY** → Gain: 60dB / 50dB / 40dB / ... / 20dB
 → Waveguide Type W229 / W159 / W137



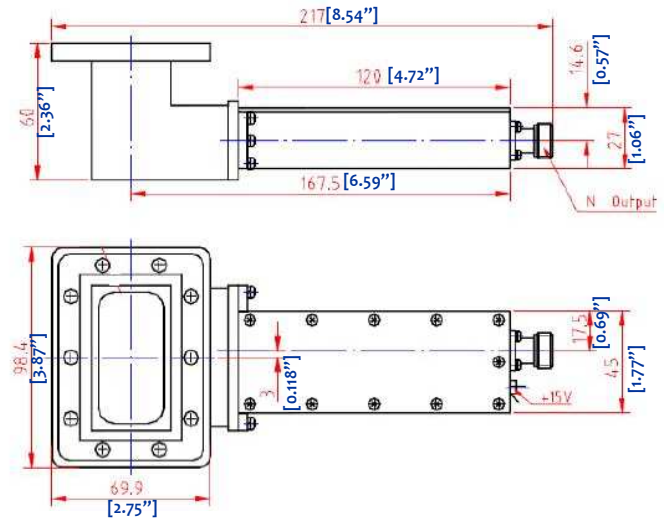
RF-LAMBDA

The power beyond expectations

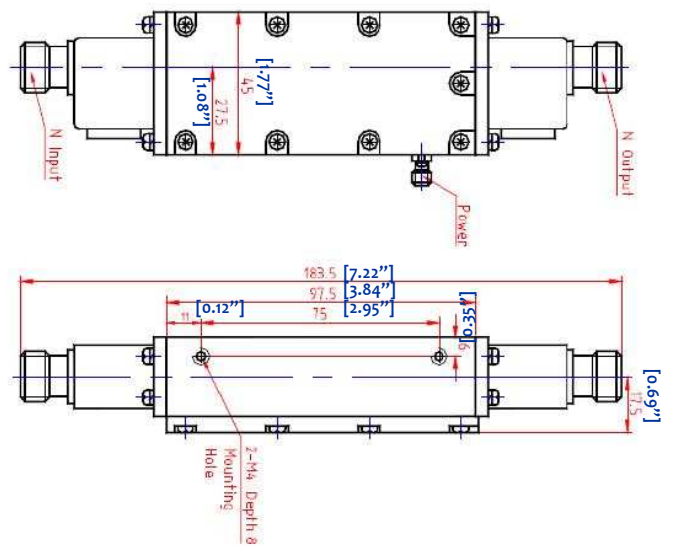
DRAWING(Type one):



DRAWING(Type Two):



DRAWING(Type Three):



C-BAND WR229 WR159 WR137 60dB HIGH GAIN LOW NOISE POWER AMPLIFIERS