



Wide Band Low Noise Amplifier 92GHz~96GHz



- Frequency Range: 92GHz~96GHz
- Low Noise Figure: 8dB Max.
- Small Signal Gain \geq 19dB
- Applicable for base station ,repeaters of Satellite station network
- Aerospace and military application
- LMDS multi-carrier operation
- High peak to average handle capability
- All specifications can be modified upon request

Specification	Ultra Wide Band Lose Noise Amplifier		
	PN: RLNAW10B		
	Min.	Typ.	Max.
Frequency Range(GHz)	92		96
Gain (dB)	19	21	
Gain Flatness (dB)		± 2.5	± 3
Noise Figure (dB)			8
P1dB Power (dBm)	13	14.5	
Input Port VSWR		1.5	2.0
Output Port VSWR		1.5	2.0
Current (Id) (mA)		200	260
Power Supply	4V		
Output Connector	WR10 COVER Flange		
Finishing	Gold Plating		
Material	Brass		
Seal	Hermetically Sealed (optional)		

Wide Band Low Noise Amplifier 92GHz~96GHz



RF-LAMBDA

The power beyond expectations

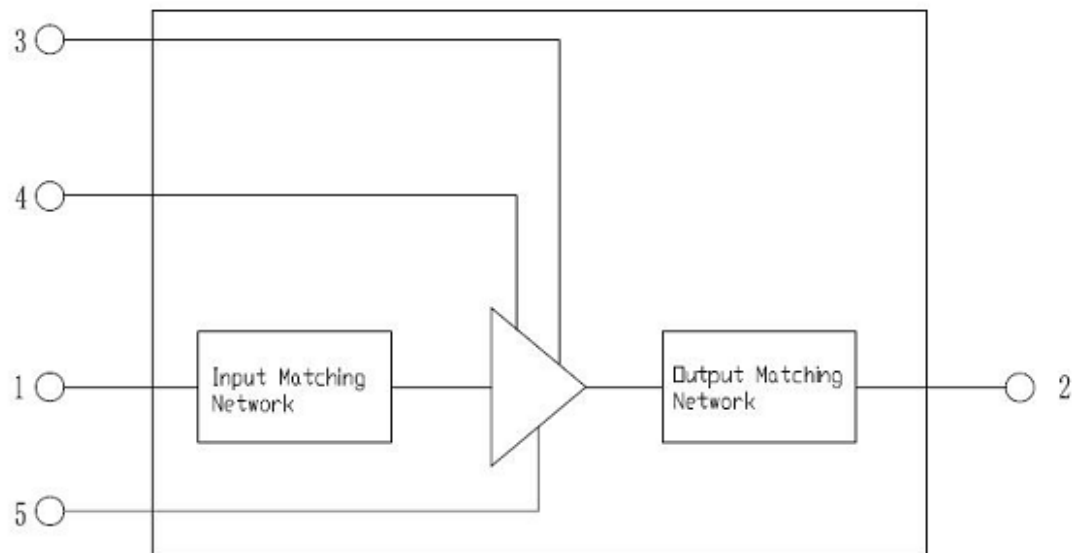
RLNAW10A

Absolute Maximum Ratings		
	Min.	Max.
RF Input Power	-	-10dBm
Bias Voltage	Vd	1.7V
	Vg	-0.8V
Supply Current	45mA	60mA
Operating Temperature	-20 °C	+70°C
Storage Temperature	-55 °C	+85°C

Biasing Up Procedure	
Step 1	Connect input and output
Step 2	Connect Ground Pin
Step 3	Connect +12V biasing
Power OFF Procedure	
Step 1	Turn off +12V biasing
Step 2	Remove RF connection
Step 3	Remove Ground.

Port Instructions:		
1	RF Input	WR10 Standard Rectangular Waveguide, UG-387/U (Modified) Circular Flange.
2	RF Output	WR10 Standard Rectangular Waveguide, UG-387/U (Modified) Circular Flange.
3	Vd	Power Supply Voltage for the Amplifier, Voltage Range: +1.8V~+2.2V. 0.8mm Diameter Feedthru Capacitor.
4	Vg	Gate control for amplifier. Adjust to achieve Id=200 mA. Voltage Range:-0.8V~+0.4V, 0.8mm Diameter Feedthru Capacitor.
5	GND	GND.

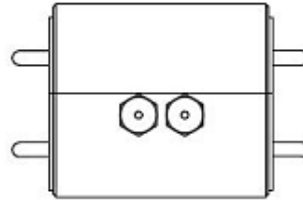
Functional Diagram:



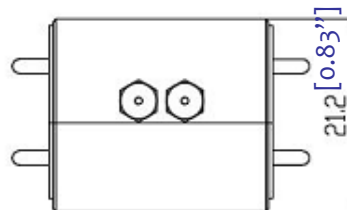
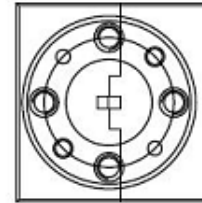
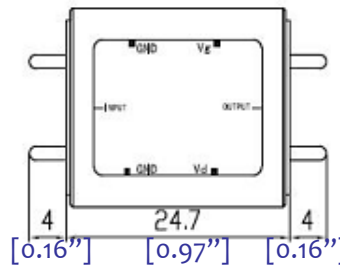
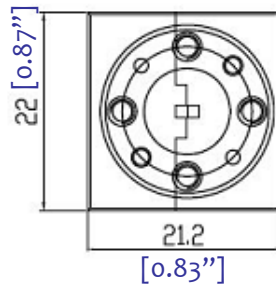
Wide Band Low Noise Amplifier 92GHz~96GHz



Outline Drawings:



Heat Sink required during operation.



Important Notice

The information contained herein is believed to be reliable. RF-Lambda makes no warranties regarding the information contained herein. RF-Lambda assumes no responsibility or liability whatsoever for any of the information contained herein. RF-Lambda assumes no responsibility or liability whatsoever for the use of the information contained herein. The information contained herein is provided "AS IS, WHERE IS" and with all faults, and the entire risk associated with such information is entirely with the user. All information contained herein is subject to change without notice. Customers should obtain and verify the latest relevant information before placing orders for RF-Lambda products. The information contained herein or any use of such information does not grant, explicitly or implicitly, to any party any patent rights, licenses, or any other intellectual property rights, whether with regard to such information itself or anything described by such information.

RF-Lambda products are not warranted or authorized for use as critical components in medical, life-saving, or life sustaining applications, or other applications where a failure would reasonably be expected to cause severe personal injury or death.