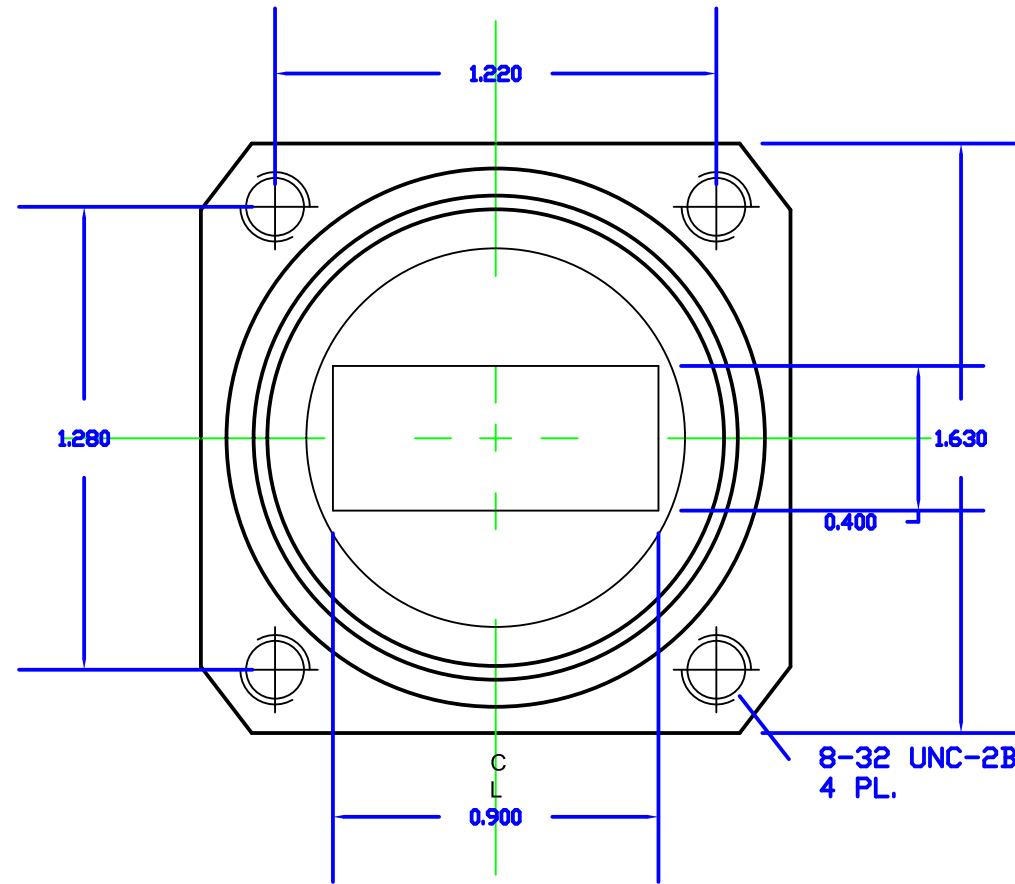
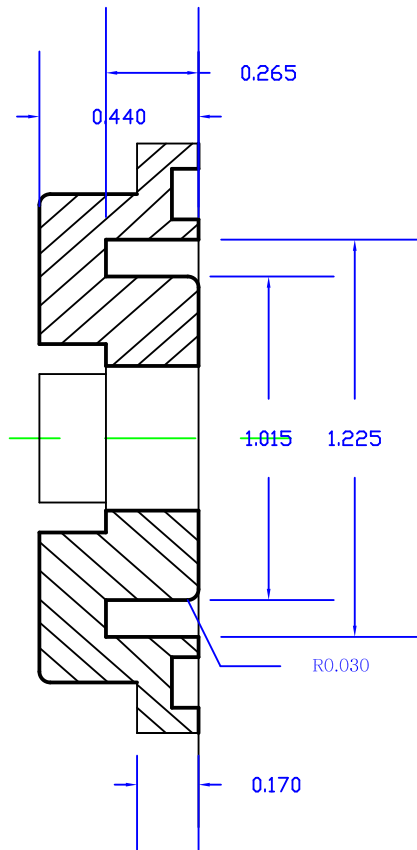


# WR90 FLANGE STANDARD:UG\_CHOKE

<b>1.0</b>	<b>ELECTRICAL SPECIFICATIONS</b>	
<b>1.1</b>	Frequency Range	8.2-12.4GHz
<b>1.2</b>	Waveguid Type	WR90/WG19
<b>1.3</b>	Flang	UG_CHOKE



PAGE OF		DATE
<small>PROPRIETARY INFORMATION THE INFORMATION CONTAINED IN THIS DOCUMENT IS THE PROPERTY OF RF-LAMBDA EXCEPT AS SPECIFICALLY AUTHORIZED IN WRITINGS BY RF-LAMBDA. THE HOLDER OF THIS DOCUMENT SHALL KEEP ALL INFORMATION CONTAINED HEREIN CONFIDENTIAL AND SHALL PROTECT SAME IN THE WHOLE OR IN PART FROM DISCLOSURE AND DISSEMINATION OF ALL THIRD PARTIES AND SHALL USE SAME FOR OPERATING AND MAINTENANCE PURPOSES ONLY</small>		DESIGN
		RFPC
		RF-LAMBDA
		RFPC
WR90 FLANGE COVER		CAD MODEL REVISION
		19
		ASSEMBLY REVISION
		VS52
		ASSEMBLY NAME
		RFLVR17
		DRAWING NUMBER
		D05-1
www.rflambda.com		
<b>RF-LAMBDA</b>	SIZE LT	SHEETS 1 OF 1