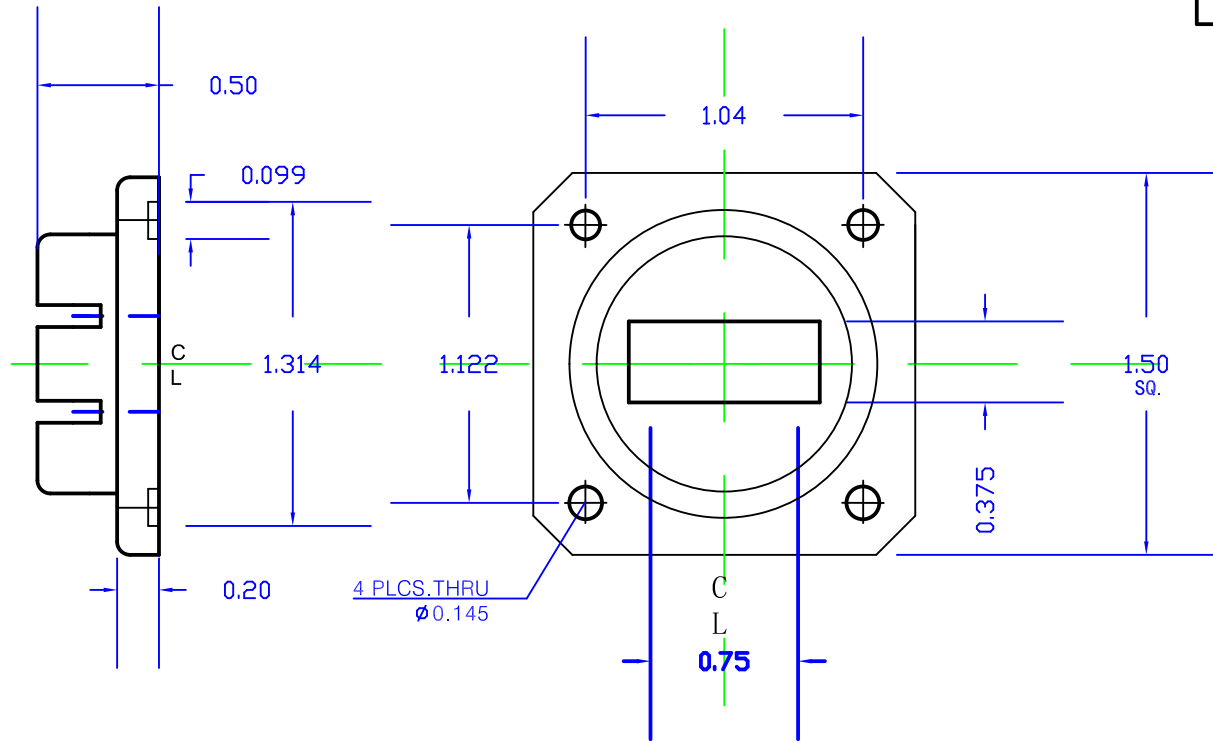


# WR75 FLANGE STANDARD:UG\_COVER/GROOVE

<b>1.0</b>	<b>ELECTRICAL SPECIFICATIONS</b>	
<b>1.1</b>	Frequency Range	10-15GHz
<b>1.2</b>	Waveguid Type	RectaugularWR75/WG17
<b>1.3</b>	Flang	UG_COVER/GROOVE



PAGE OF		DATE
PROPRIETARY INFORMATION THE INFORMATION CONTAINED IN THIS DOCUMENT IS THE PROPERTY OF RF-LAMBDA EXCEPT AS SPECIFICALLY AUTHORIZED IN WR75UG BY RF-LAMBDA. THE HOLDER OF THIS DOCUMENT SHALL KEEP ALL INFORMATION CONTAINED HEREIN CONFIDENTIAL AND SHALL PROTECT SAME IN THE WHOLE OR IN PART FROM DISCLOSURE AND DISSEMINATION OF ALL THIRD PARTIES AND SHALL USE SAME FOR OPERATING AND MAINTENANCE PURPOSES ONLY		DESIGN RFPC
WR75 FLANGE COVER		RF-LAMBDA RFPC
www.rflambda.com		CAD MODEL REVISION 19
RF-LAMBDA		ASSEMBLY REVISION VS52
SIZE LT		ASSEMBLY NAME RFLVR17
SHEETS 1		DRAWING NUMBER D05-1
OF		1