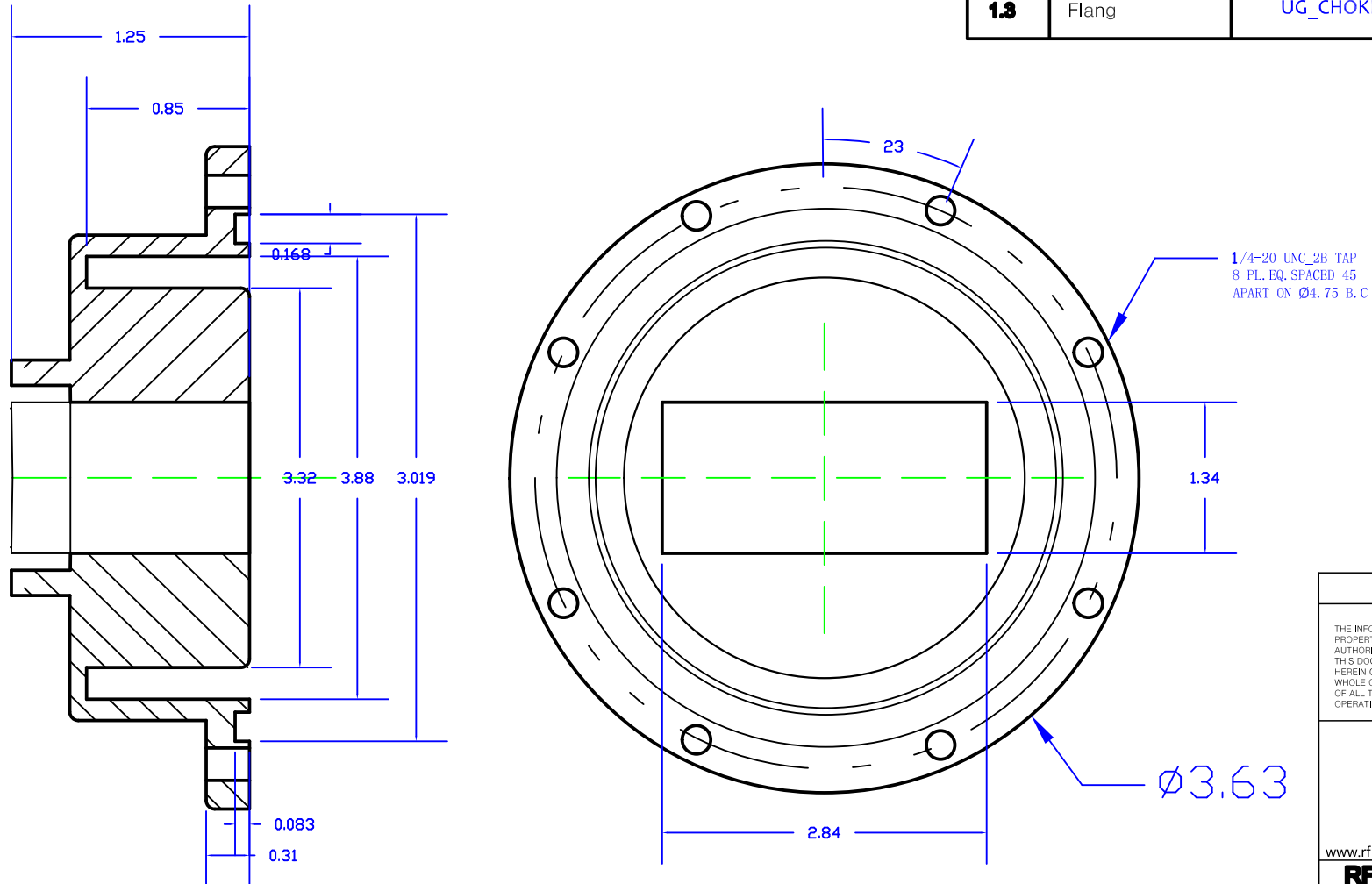


# WR284 FLANGE STANDARD:UG\_CHOKE

<b>1.0</b>	<b>ELECTRICAL SPECIFICATIONS</b>	
<b>1.1</b>	Frequency Range	2.6-5.95GHz
<b>1.2</b>	Waveguid Type	RectaugularWR284/WG10
<b>1.3</b>	Flang	UG_CHOKE



PAGE OF		DATE
PROPRIETARY INFORMATION THE INFORMATION CONTAINED IN THIS DOCUMENT IS THE PROPERTY OF RF-LAMBDA EXCEPT AS SPECIFICALLY AUTHORIZED IN WRUTUBG BY RF-LAMBDA. THE HOLDER OF THIS DOCUMENT SHALL KEEP ALL INFORMATION CONTAINED HEREIN CONFIDENTIAL AND SHALL PROTECT SAME IN THE WHOLE OR IN PART FROM DISCLOSURE AND DISSEMINATION OF ALL THIRD PARTIES AND SHALL USE SAME FOR OPERATING AND MAINTENANCE PURPOSES ONLY		DESIGN
RF-LAMBDA		RFPC
WR284 FLANGE COVER		RFPC
www.rflambda.com		CAD MODEL REVISION 19
RF-LAMBDA		ASSEMBLY REVISION VS52
RF-LAMBDA		ASSEMBLY NAME RFLVR17
RF-LAMBDA		DRAWING NUMBER D05-1
SIZE LT	SHEETS 1	OF 1