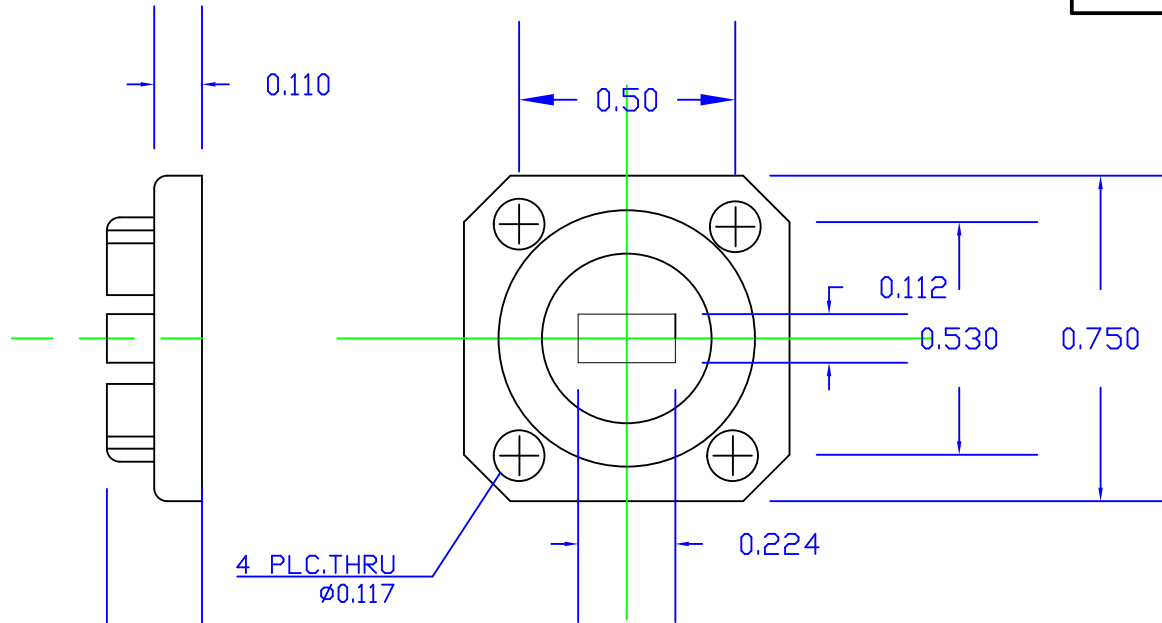


# WR22 FLANGE STANDARD:UG\_COVER/GROOVE[SQ]

<b>1.0</b>	<b>ELECTRICAL SPECIFICATIONS</b>	
<b>1.1</b>	Frequency Range	30-50GHz
<b>1.2</b>	Waveguid Type	RectaugularWR22/WG23
<b>1.3</b>	Flange	UG_COVER/GROOVE



PAGE OF		DATE
PROPRIETARY INFORMATION THE INFORMATION CONTAINED IN THIS DOCUMENT IS THE PROPERTY OF RF-LAMBDA EXCEPT AS SPECIFICALLY AUTHORIZED IN WRITINGS BY RF-LAMBDA. THE HOLDER OF THIS DOCUMENT SHALL KEEP ALL INFORMATION CONTAINED HEREIN CONFIDENTIAL AND SHALL PROTECT SAME IN THE WHOLE OR IN PART FROM DISCLOSURE AND DISSEMINATION OF ALL THIRD PARTIES AND SHALL USE SAME FOR OPERATING AND MAINTENANCE PURPOSES ONLY		DESIGN RFPC
RF-LAMBDA		RFPC
WR22 FLANGE COVER		CAD MODEL REVISION 19
		ASSEMBLY REVISION VS52
		ASSEMBLY NAME RFLVR17
		DRAWING NUMBER D05-1
www.rflambda.com		
<b>RF-LAMBDA</b>		SIZE LT
		SHEETS 1
		OF 1