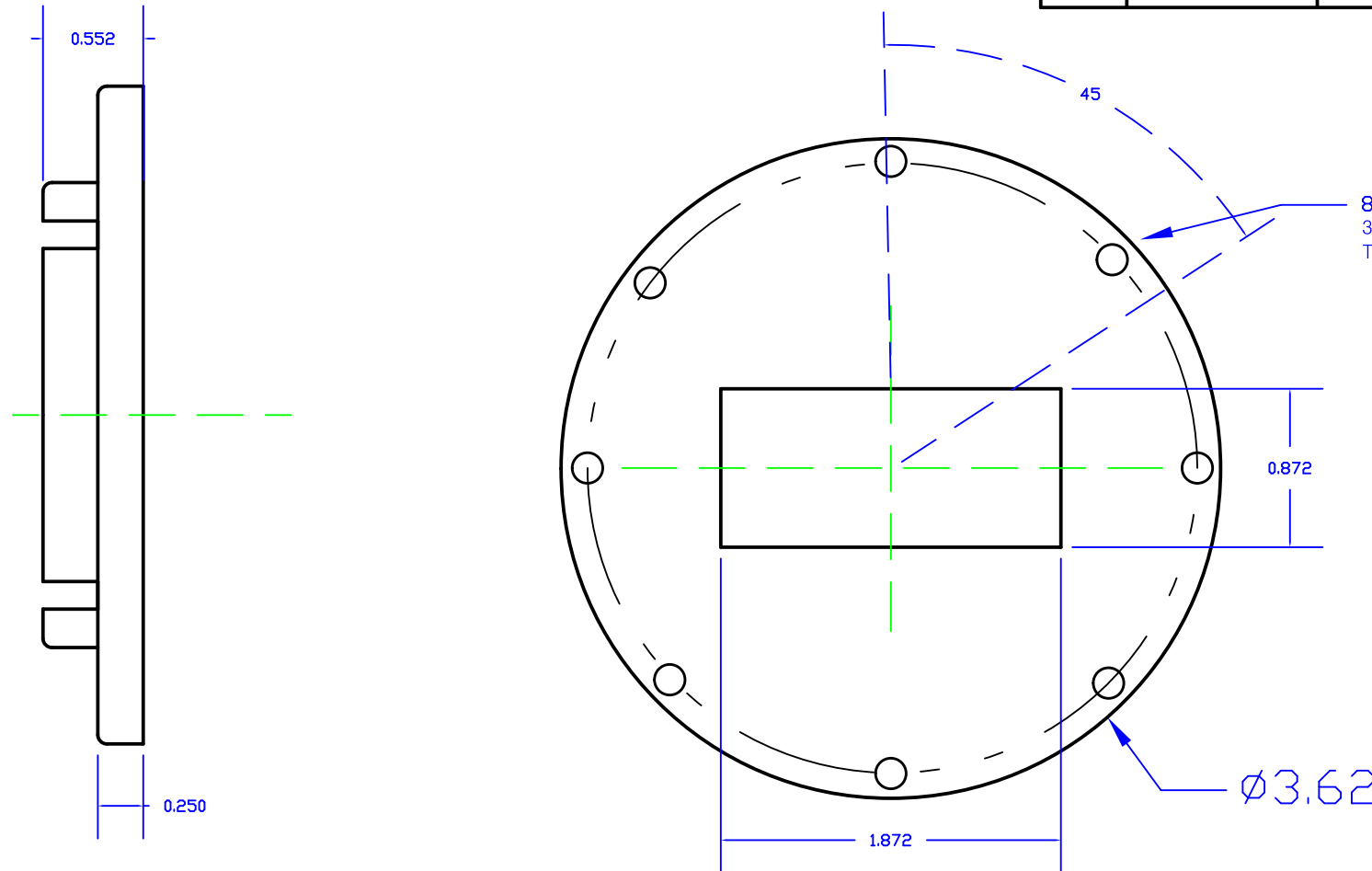


WR187 FLANGE STANDARD:UG_COVER

1.0 ELECTRICAL SPECIFICATIONS		
1.1	Frequency Range	3.94-5.99GHz
1.2	Waveguid Type	RectaugularWR187/WG12
1.3	Flang	UG_COVER



PAGE OF		DATE
<small>PROPRIETARY INFORMATION THE INFORMATION CONTAINED IN THIS DOCUMENT IS THE PROPERTY OF RF-LAMBDA EXCEPT AS SPECIFICALLY AUTHORIZED IN WR187UG BY RF-LAMBDA. THE HOLDER OF THIS DOCUMENT SHALL KEEP ALL INFORMATION CONTAINED HEREIN CONFIDENTIAL AND SHALL PROTECT SAME IN THE WHOLE OR IN PART FROM DISCLOSURE AND DISSEMINATION OF ALL THIRD PARTIES AND SHALL USE SAME FOR OPERATING AND MAINTENANCE PURPOSES ONLY</small>		<small>DESIGN</small> RFPC
WR187 FLANGE COVER		<small>RF-LAMBDA</small> RFPC
<small>CAD MODEL REVISION</small> 19		<small>ASSEMBLY REVISION</small> VS52
<small>ASSEMBLY NAME</small> RFLVR17		<small>DRAWING NUMBER</small> D05-1
<small>www.rflambda.com</small> RF-LAMBDA		<small>SIZE</small> LT
<small>SHEETS</small> 1		<small>OF</small> 1