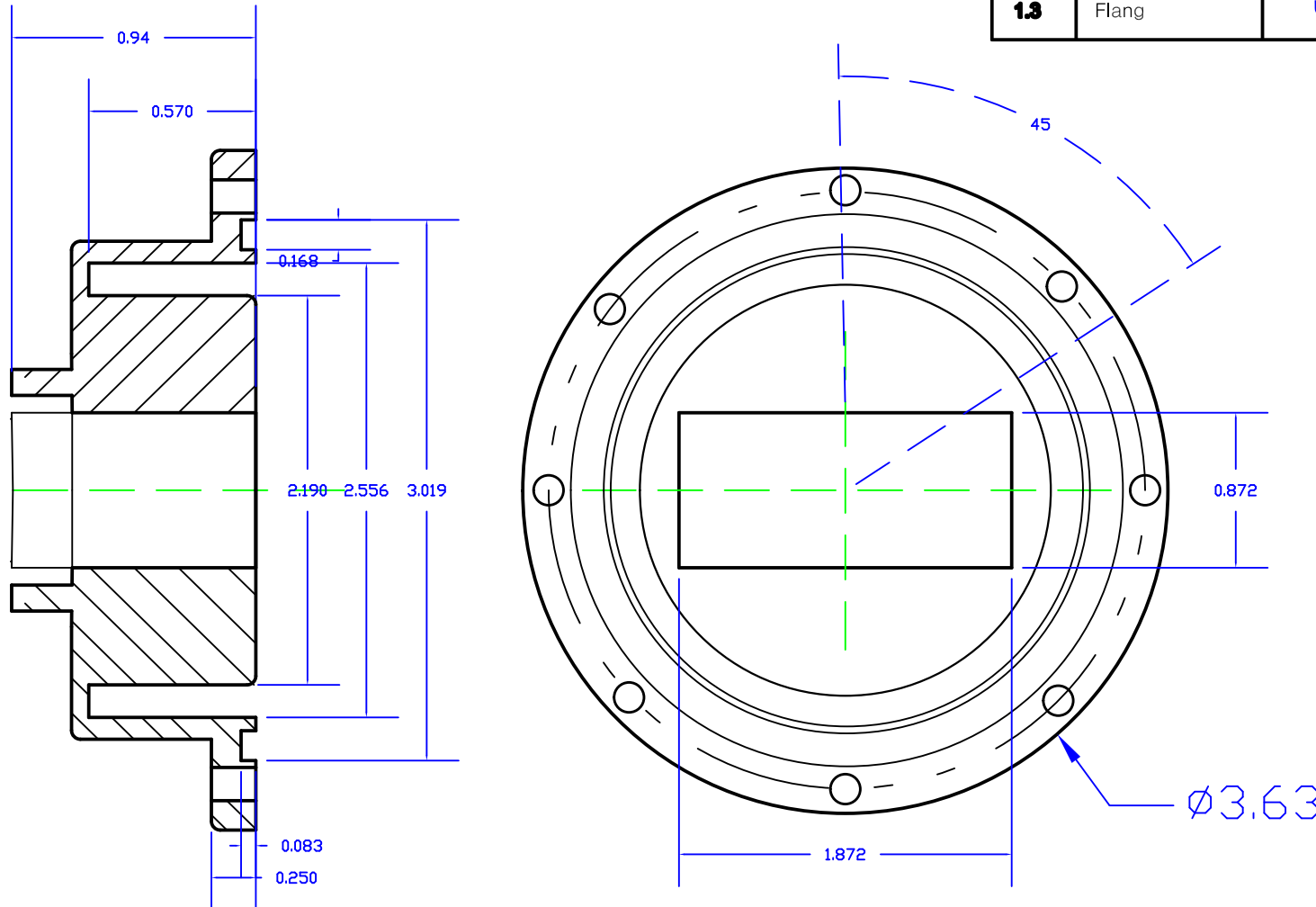


WR187 FLANGE STANDARD:UG_CHOKE

1.0	ELECTRICAL SPECIFICATIONS	
1.1	Frequency Range	3.94-5.99GHz
1.2	Waveguid Type	RectaugularWR187/WG12
1.3	Flang	UG_CHOKE



PAGE OF		DATE
PROPRIETARY INFORMATION THE INFORMATION CONTAINED IN THIS DOCUMENT IS THE PROPERTY OF RF-LAMBDA EXCEPT AS SPECIFICALLY AUTHORIZED IN WR187UG BY RF-LAMBDA. THE HOLDER OF THIS DOCUMENT SHALL KEEP ALL INFORMATION CONTAINED HEREIN CONFIDENTIAL AND SHALL PROTECT SAME IN THE WHOLE OR IN PART FROM DISCLOSURE AND DISSEMINATION OF ALL THIRD PARTIES AND SHALL USE SAME FOR OPERATING AND MAINTENANCE PURPOSES ONLY.		DESIGN RFPC
WR187 FLANGE COVER		RF-LAMBDA RFPC
CAD MODEL REVISION 19		1
ASSEMBLY REVISION VS52		
ASSEMBLY NAME RFLVR17		
DRAWING NUMBER D05-1		0
www.rflambda.com RF-LAMBDA		SIZE LT
SHEETS 1		OF 1