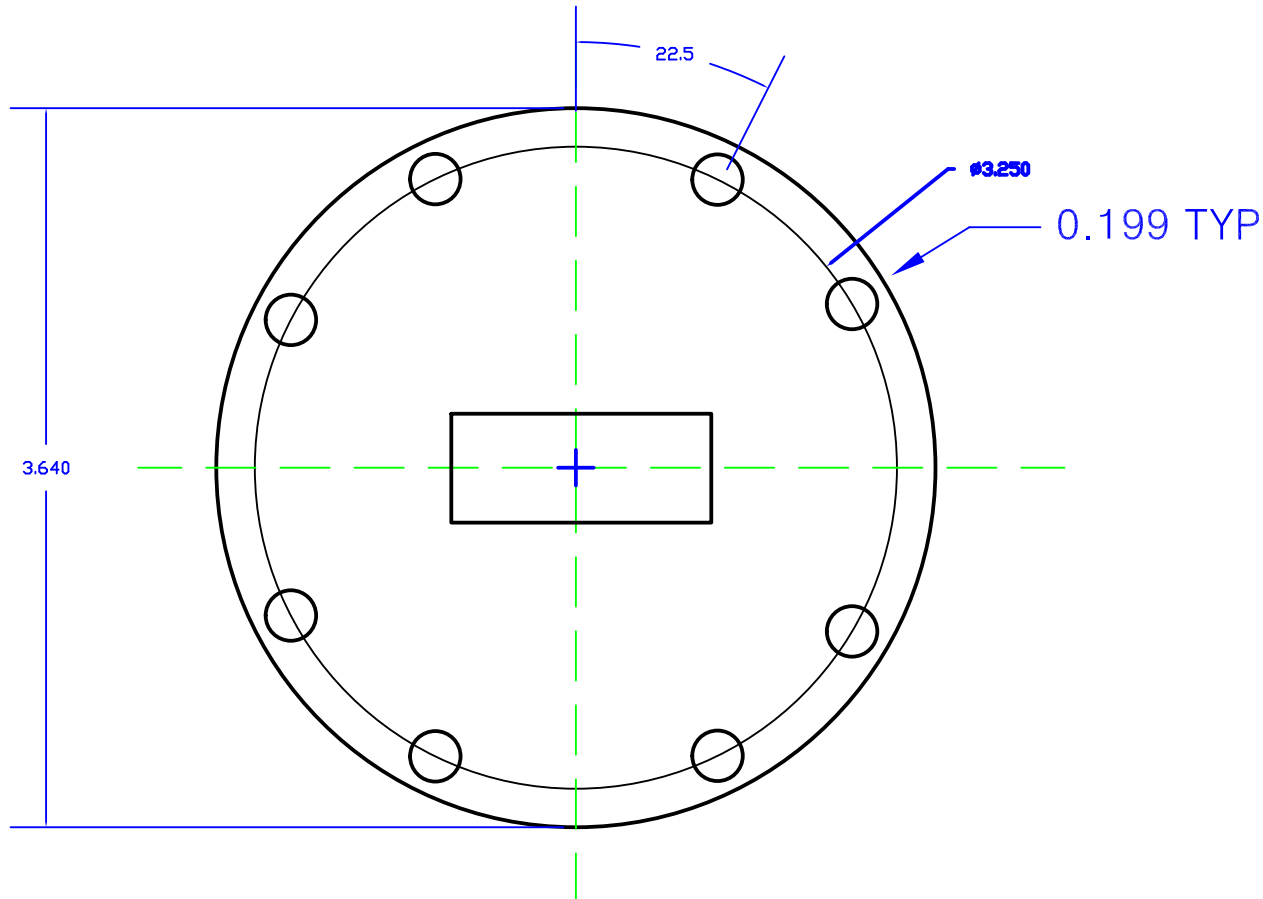


WR187 FLANGE STANDARD:UG149/U

1.0	ELECTRICAL SPECIFICATIONS	
1.1	Frequency Range	3.94-5.99GHz
1.2	Waveguid Type	RectaugularWR187/WG11A
1.3	Flang	UG149/U



PAGE OF		DATE
PROPRIETARY INFORMATION THE INFORMATION CONTAINED IN THIS DOCUMENT IS THE PROPERTY OF RF-LAMBDA EXCEPT AS SPECIFICALLY AUTHORIZED IN WR187UG BY RF-LAMBDA. THE HOLDER OF THIS DOCUMENT SHALL KEEP ALL INFORMATION CONTAINED HEREIN CONFIDENTIAL AND SHALL PROTECT SAME IN THE WHOLE OR IN PART FROM DISCLOSURE AND DISSEMINATION OF ALL THIRD PARTIES AND SHALL USE SAME FOR OPERATING AND MAINTENANCE PURPOSES ONLY		DESIGN RFPC
WR187 FLANGE UC149/U		RF-LAMBDA RFPC
www.rflambda.com RF-LAMBDA		CAD MODEL REVISION 19 ASSEMBLY REVISION VS52 ASSEMBLY NAME RFLVR17 DRAWING NUMBER D05-1
SIZE	SHEETS	
LT	1	OF 1