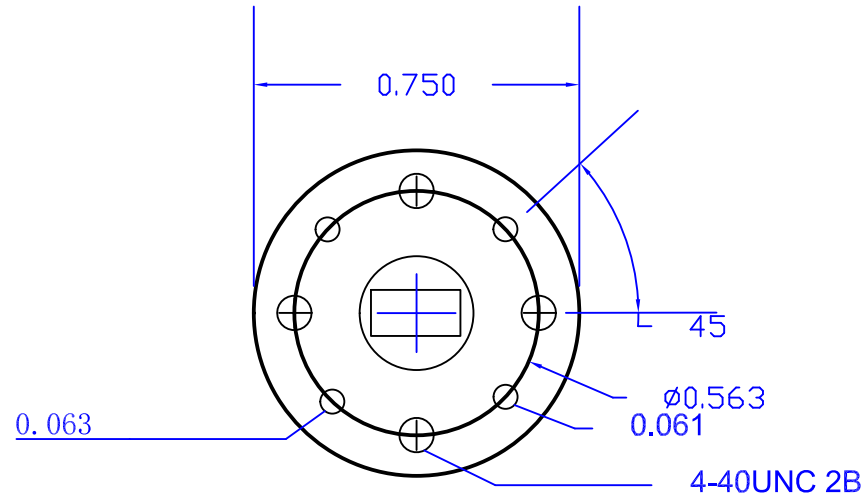


# WR15 FLANGE STANDARD:UG385/U



<b>1.0</b>	<b>ELECTRICAL SPECIFICATIONS</b>	
<b>1.1</b>	Frequency Range	40.8-75.8GHz
<b>1.2</b>	Waveguid Type	RectaugularWR15/WG25
<b>1.3</b>	Flang	UG387/U

PAGE	OF	DATE
PROPRIETARY INFORMATION THE INFORMATION CONTAINED IN THIS DOCUMENT IS THE PROPERTY OF RF-LAMBDA EXCEPT AS SPECIFICALLY AUTHORIZED IN WRITING BY RF-LAMBDA. THE HOLDER OF THIS DOCUMENT SHALL KEEP ALL INFORMATION CONTAINED HEREIN CONFIDENTIAL AND SHALL PROTECT SAME IN THE WHOLE OR IN PART FROM DISCLOSURE AND DISSEMINATION OF ALL THIRD PARTIES AND SHALL USE SAME FOR OPERATING AND MAINTENANCE PURPOSES ONLY.		DESIGN <b>RFPC</b>
<b>WR15 FLANGE</b> <b>UG385/U</b>		RF-LAMBDA <b>RFPC</b>
CAD MODEL REVISION <b>19</b>		ASSEMBLY REVISION <b>VS52</b>
ASSEMBLY NAME <b>RFLVR17</b>		DRAWING NUMBER <b>D05-1</b>
www.rflambda.com <b>RF-LAMBDA</b>		SIZE LT
SHEETS 1		OF 1