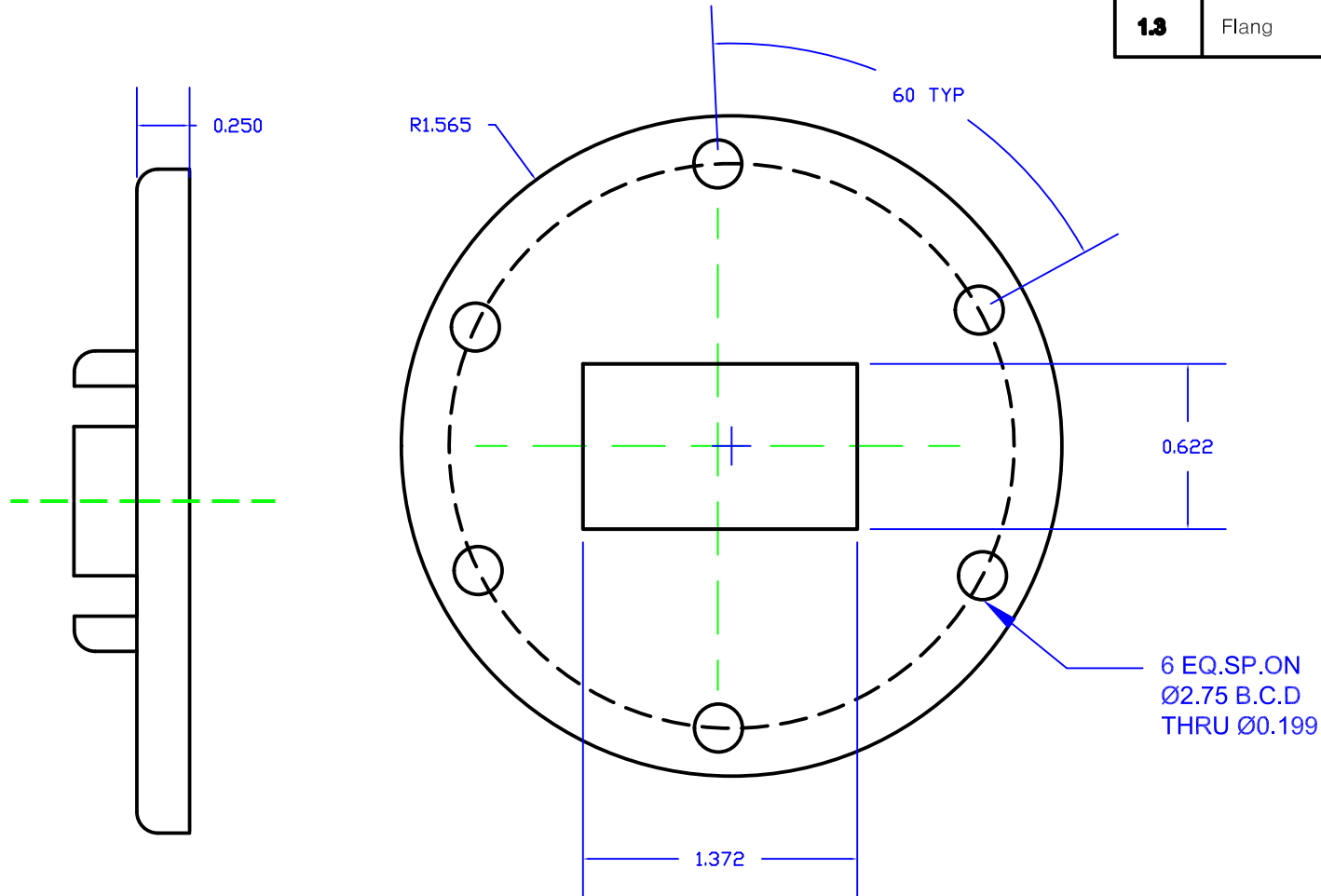


WR137 FLANGE STANDARD:UG_COVER

1.0	ELECTRICAL SPECIFICATIONS	
1.1	Frequency Range	5.85-8.2GHz
1.2	Waveguid Type	RectaugularWR137/WG14
1.3	Flang	UG_COVER



PAGE OF		DATE
PROPRIETARY INFORMATION THE INFORMATION CONTAINED IN THIS DOCUMENT IS THE PROPERTY OF RF-LAMBDA EXCEPT AS SPECIFICALLY AUTHORIZED IN WRITING BY RF-LAMBDA. THE HOLDER OF THIS DOCUMENT SHALL KEEP ALL INFORMATION CONTAINED HEREIN CONFIDENTIAL AND SHALL PROTECT SAME IN THE WHOLE OR IN PART FROM DISCLOSURE AND DISSEMINATION OF ALL THIRD PARTIES AND SHALL USE SAME FOR OPERATING AND MAINTENANCE PURPOSES ONLY		DESIGN RFPC
RF-LAMBDA		RFPC
WR137 FLANGE COVER		CAD MODEL REVISION 19
		ASSEMBLY REVISION VS52
		ASSEMBLY NAME RFLVR17
		DRAWING NUMBER D05-1
www.rflambda.com		
RF-LAMBDA		SIZE LT
		SHEETS 1
		OF 1