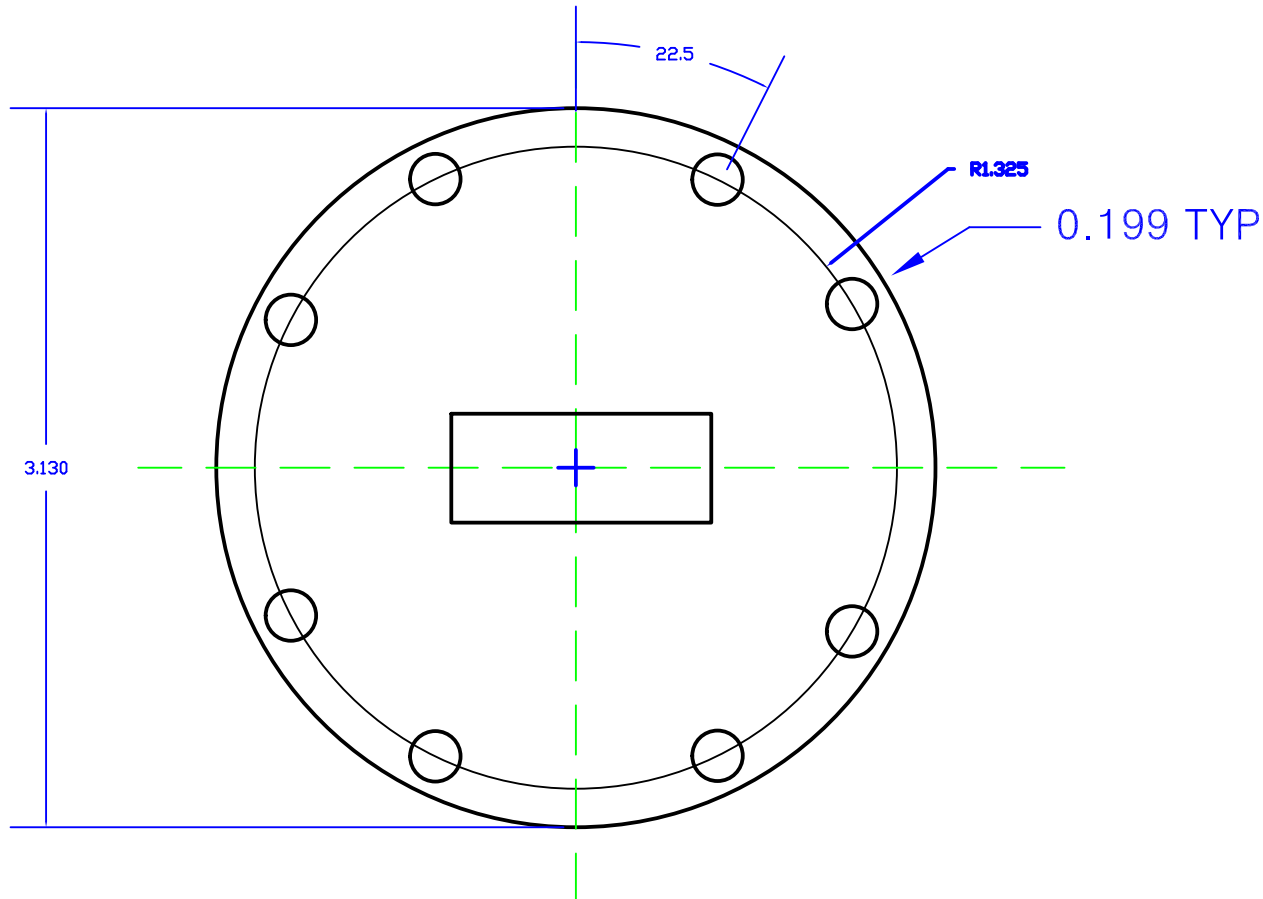


WR137 FLANGE STANDARD:UG344/U

1.0	ELECTRICAL SPECIFICATIONS	
1.1	Frequency Range	5.38-8.17GHz
1.2	Waveguid Type	RectaugularWR137/WG14
1.3	Flang	UG139/U



PAGE OF		DATE
PROPRIETARY INFORMATION THE INFORMATION CONTAINED IN THIS DOCUMENT IS THE PROPERTY OF RF-LAMBDA EXCEPT AS SPECIFICALLY AUTHORIZED IN WRUTUGG BY RF-LAMBDA. THE HOLDER OF THIS DOCUMENT SHALL KEEP ALL INFORMATION CONTAINED HEREIN CONFIDENTIAL AND SHALL PROTECT SAME IN THE WHOLE OR IN PART FROM DISCLOSURE AND DISSEMINATION OF ALL THIRD PARTIES AND SHALL USE SAME FOR OPERATING AND MAINTENANCE PURPOSES ONLY		DESIGN RFPC
WR137 FLANGE UC344/U		RF-LAMBDA RFPC
www.rflambda.com		CAD MODEL REVISION 19
RF-LAMBDA		ASSEMBLY REVISION VS52
SIZE LT		ASSEMBLY NAME RFLVR17
SHEETS 1		DRAWING NUMBER D05-1
OF		1